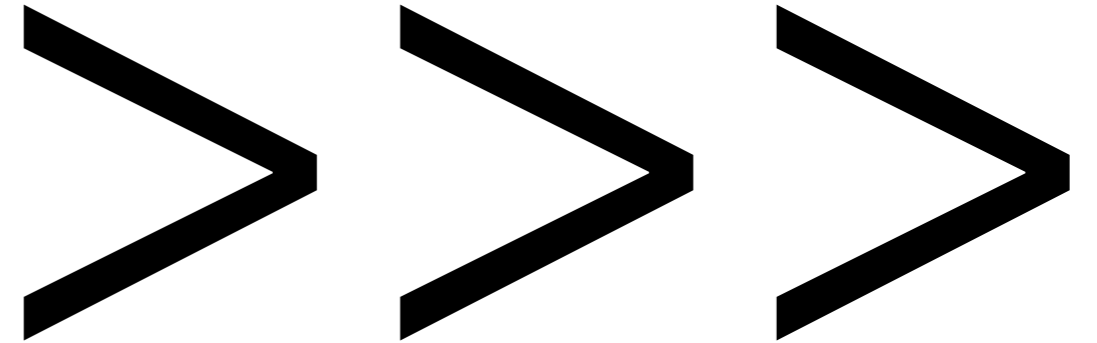


DISCOVER

FILIX



Filix, a manufacturer of world-class lighting products and systems used by lighting designers, architects and engineers to illuminate interior and exterior architecture.

>

Filix designs, engineers and manufactures high-quality, high-performance LED lighting instruments for outdoor and indoor applications. We design our products to fit seamlessly within the architecture, offering an aesthetic solution during the day. The optical systems are designed to provide industry-leading performance, directing light where intended while eliminating glare. Lastly, Filix products are engineered and tested to survive in any outdoor environment. We believe in sustainable products made from materials that are optimal for the environment where they are installed and easily maintainable LED engines and power supplies to ensure the long life of the installation.

Located in the beautiful Istrian Peninsula of Croatia, Filix takes its cues from our neighbors, Italy and Austria. Our culture is based on respect for natural resources and the desire to bring beauty and quality to all we do.

FILIX

ABOUT

About R&D

Our goal is to develop families of products to allow designers to create environments and effects with a minimum number of products, all with a common language. All Filix products are designed, engineered and tested in-house, ensuring that they abide by our high standards of quality and performance in order to deliver the very best lighting instruments to our customers.

How we do it

By designing all products inside the company, Filix maintains control over every component that goes into each product. All new products, as well as custom products, go through rigorous environmental testing to ensure that the product will perform in all environments and maintain sustainability whether installed under the water, in the ground, driven over by trucks or exposed to climate extremes. Only when the stringent design parameters are met does the product go into production.

Filix Lighting Team

Filix maintains a very close relationship with the market through our worldwide network of lighting sales agencies, as well as direct involvement with designers throughout Europe, Asia and the USA. The Filix sales department and the application engineering and design departments are in daily contact with product users and influencers, gaining valuable insight into the uses of our products and potential new products. Through these relationships we gain ideas that guide us in the development of the Filix range of products.

CONTENTS

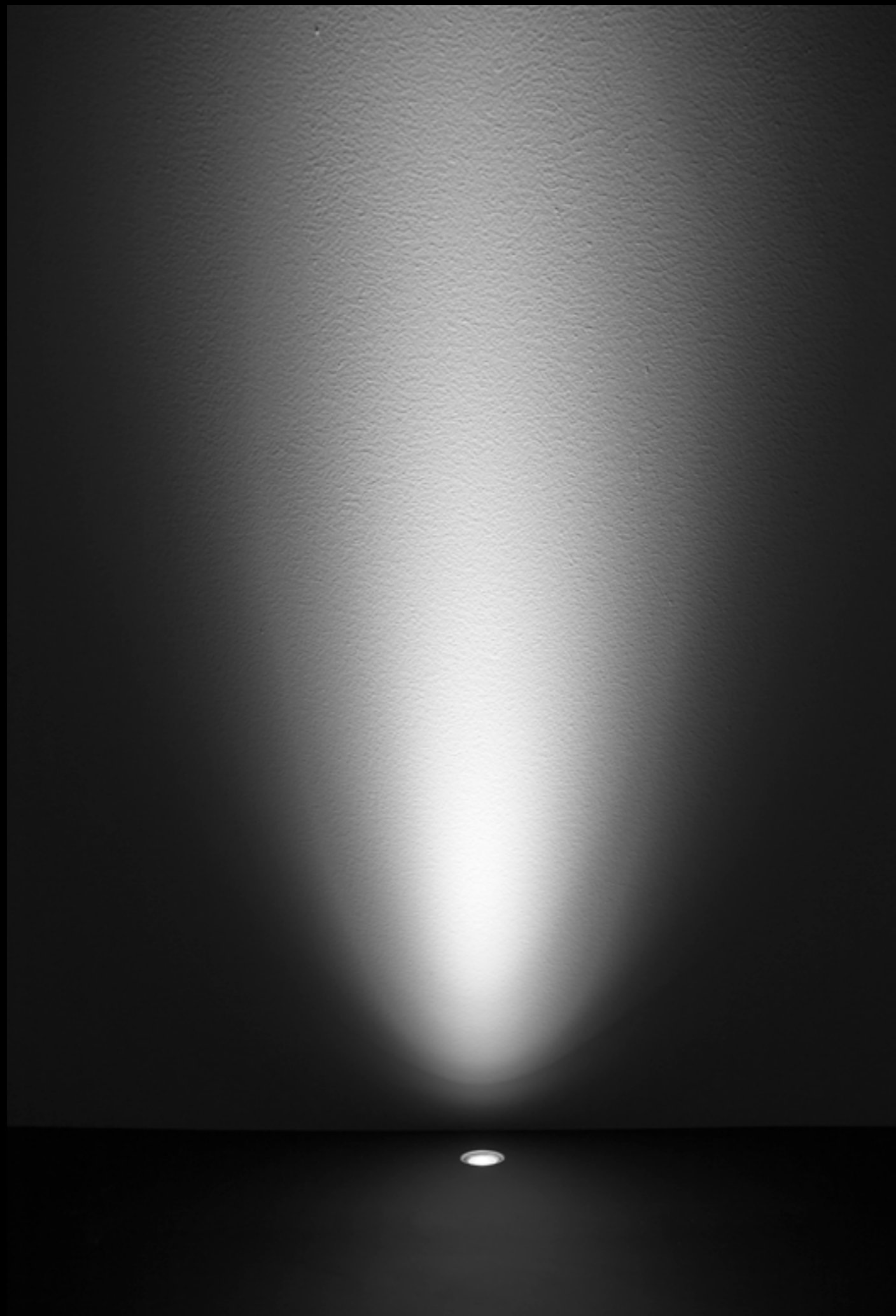
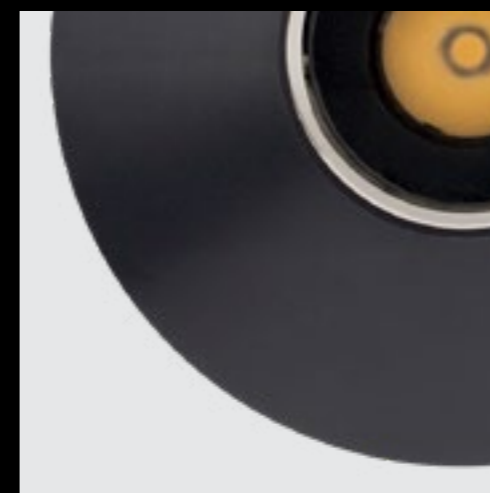
| | | | |
|--------|----|------------------------|-----|
| RDD35 | 9 | ZERO G | 93 |
| RDP35 | 13 | ETER | 97 |
| RDW35 | 17 | STEP UP DECO | 101 |
| SQD35 | 21 | SLIM | 105 |
| SQP35 | 25 | STEP UP WIDE | 109 |
| SQW35 | 29 | SNAKE | 113 |
| FARO60 | 33 | SNAKE DECO | 117 |
| RDT60 | 37 | ION SWITCH | 121 |
| RDD60 | 41 | ION MATRIX | 125 |
| RDP60 | 45 | HEMERA HECTO | 129 |
| RDW60 | 49 | HEMERA | 133 |
| RDT100 | 53 | | |
| RDD100 | 57 | ARPOOL S PROJECTOR | 139 |
| RDP100 | 61 | ARPOOL M PROJECTOR | 143 |
| RDW100 | 65 | ARPOOL XM PROJECTOR | 147 |
| RDD140 | 69 | ARPOOL S | 151 |
| RDD200 | 73 | ARPOOL M | 155 |
| SQD100 | 77 | ARPOOL XM | 159 |
| SQT100 | 81 | ARPOOL L | 163 |
| SQP100 | 85 | ARPOOL DAWN | 167 |
| SQW100 | 89 | ARPOOL CORAL | 171 |
| | | ARPOOL NEXUS | 175 |
| | | ARPOOL LINEAR RECESSED | 179 |
| | | ARPOOL STYLE | 185 |
| | | ARPOOL LINEAR SURFACE | 188 |
| | | ARPOOL IRIS EFECTA | 192 |
| | | ARPOOL IRIS BIBFECTA | 196 |
| | | ARPOOL IRIS TRIFECTA | 200 |

RDD35 Deco



Round LED uplight with high performance optics for outdoor and indoor use, floor and wall installation.

ABS housing with flush clear tempered glass lens for trim and trimless integration into grade. Recessed low glare led source. Drive over rated.



RDD35 Deco

> Electrical

24 VDC fixture voltage
L - 1,2W - 68 lm
H - 3W - 186 lm

> Technical

IP67
CLASS III
IK10
UL STD 1598
Drive over rated
1500 kg
(3300lb)

Clear tempered glass
3/8" (10mm)
Stainless steel (304) ring
Anodized aluminium body
ABS installation housing

> Color

27 - 2700K
30 - 3000K
2 Step MacAdam
CRI: >85

> Cable

C* - standard 0.3m
3 - 3m
6 - 6m
9 - 9m

> Optics



SP Spot 17°
SX Spot 17°+ hex



FL Flood 41°
FX Flood 41°+ hex

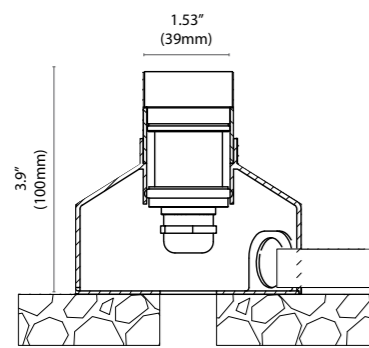


GR Graze 13°x41°
GR Graze 13°x41°+ hex

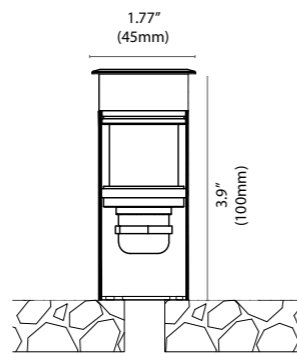
> Glare options

Glare control
0 - no half moon
1 - with half moon

> Installation



Concrete



Tiles

> Installation housing order codes

RD35C - Concrete
RD35T - Tiles

Ordering Information

| RDD35 | | | | | | | |
|-------|--------------|-------|-------------|--------|---------|---------|---------------|
| | | | | | | 24 | |
| Model | Installation | Power | Color Temp. | Optics | Voltage | Options | Glare Options |
| RDD35 | TM | L | 27 | SP | 24 | C | 0 |
| | TS | H | 30 | FL | | 3 | 1 |
| | | | | GR | | 6 | |
| | | | | SX | | 9 | |
| | | | | FX | | | |
| | | | | GX | | | |



Power Supply

On/Off
103227 - LPV 35W 24V
100995 - LPV 60W 24V
104460 - LPV 150W 24V

Power Supply integrated controls
102345 - ELDOLED Linear 100S (DXM,DALI+PS)
104406 - Mono Dali 240W
103507 - OT250/220...240/ 24V DIM P (1-10V)

RDP35 Paver



Round LED marker light for outdoor and indoor use, floor and wall installation. Aluminum housing with flush clear tempered glass lens for trim and trimless integration into grade. Recessed low glare led source. Drive over rated.



RDP35 Paver

> Electrical

24VDC fixture voltage
L - 1,2W - 26 lm
H - 3W - 65 lm

> Technical

IP67
CLASS III
IK10
UL STD 1598
Drive over rated
1500 kg (3000lb)

Low glare
Stainless steel (304) ring
Anodized aluminium body
ABS installation housing

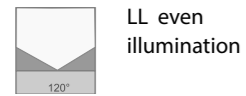
> Color

27 - 2700K
30 - 3000K
2 Step MacAdam
CRI: > 85

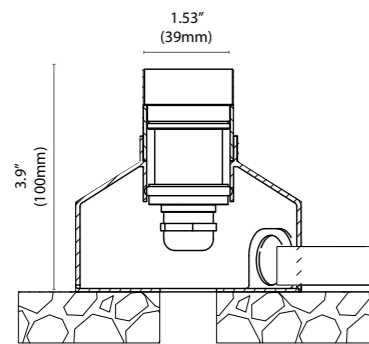
> Cable

C* - standard 0.3m
3 - 3m
6 - 6m
9 - 9m

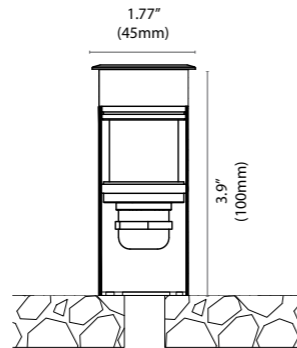
> Optics



> Installation



Concrete



Tiles

> Installation housing order codes

RD35C - Concrete
RD35T - Tiles

Ordering Information

| Model | Installation | Power | Color Temp. | Optics | Voltage | Options |
|-------|--------------|--------|-------------|--------|---------|------------------|
| RDP35 | TM TS | L H | 27 30 | LL | 24 | C 3 6 C |



Power Supply

| | |
|---|--|
| On/Off 103227 - LPV 35W 24V 100995 - LPV 60W 24V 104460 - LPV 150W 24V | Power Supply integrated controls 102345 - ELDOLED Linear 100S (DXM,DALI+PS) 104406 - Mono Dali 240W 103507 - OT250/220...240/ 24V DIM P (1-10V) |
|---|--|

RDW35 WallWash



Round LED wallwash asymmetric
uplight with high performance
optics for outdoor and indoor
use, floor and wall installation.
ABS housing with flush clear
tempered glass lens and
stainless steel ring for trim and
trimless integration.
Recessed no glare led source
with AGS - ANTI GLARE SYSTEM



RDW35 WallWash

> Electrical

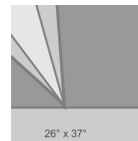
24 VDC fixture voltage
L - 1,2W - 14 lm
H - 3W - 32 lm

> Technical

IP67
CLASS III
IK10
UL STD 1598
Drive over rated
1500 kg
(3300lb)

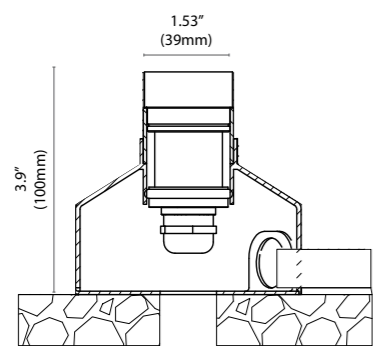
Clear tempered glass
3/8" (10mm)
Stainless steel (304) ring
Anodized aluminium body
ABS installation housing

> Optics

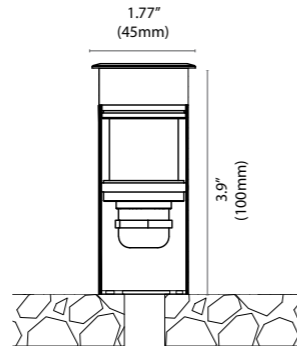


WW WallWash
26x37° tilt 14°

> Installation



Concrete



Tiles

> Color

27 - 2700K
30 - 3000K
2 Step MacAdam
CRI: >85

> Cable

C* - standard 0.3m
3 - 3m
6 - 6m
9 - 9m

> Installation housing order codes

RD35C - Concrete
RD35T - Tiles

Ordering Information

| Model | Installation | Power | Color Temp. | Optics | Voltage | Options |
|-------|--------------|--------|-------------|--------|---------|------------------|
| RDW35 | TM TS | L H | 27 30 | WW | 24 | C 3 6 9 |



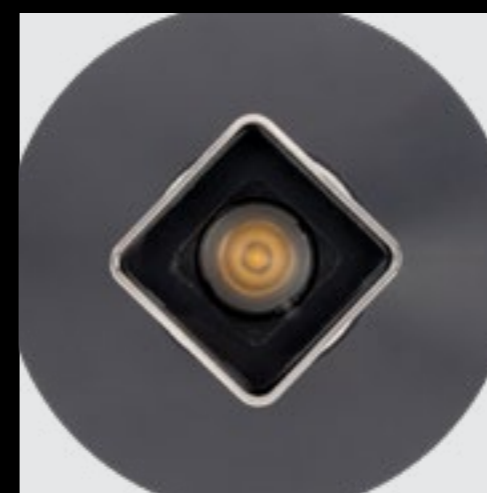
Power Supply

| On/Off | Power Supply integrated controls |
|-----------------------|---|
| 103227 - LPV 35W 24V | 102345 - ELDOLED Linear 100S (DXM,DALI+PS) |
| 100995 - LPV 60W 24V | 104406 - Mono Dali 240W |
| 104460 - LPV 150W 24V | 103507 - OT250/220...240/ 24V DIM P (1-10V) |

SQD35 Deco



Square LED uplight with high performance optics for outdoor and indoor use, floor and wall installation. ABS housing with flush clear tempered glass lens for trim and trimless integration into grade. Recessed low glare led source. Drive over rated.



SQD35 Deco

> Electrical

24 VDC fixture voltage
L - 1,2W - 68 lm
H - 3W - 186 lm

> Technical

IP67
CLASS III
IK10
UL STD 1598
Drive over rated
1500 kg
(3000lb)

Clear tempered glass
3/8" (10mm)
Stainless steel (304) ring
Anodized aluminium body
ABS installation housing

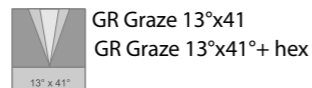
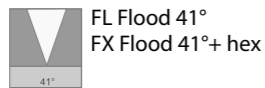
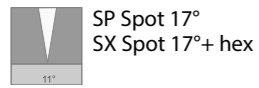
> Color

27 - 2700K
30 - 3000K
2 Step MacAdam
CRI: >85

> Cable

C* - standard 0.3m
3 - 3m
6 - 6m
9 - 9m

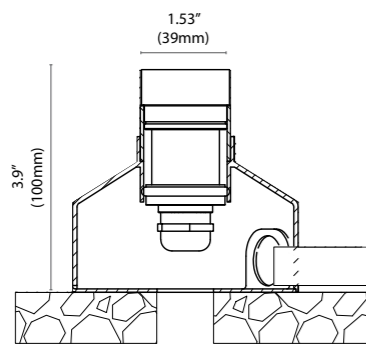
> Optics



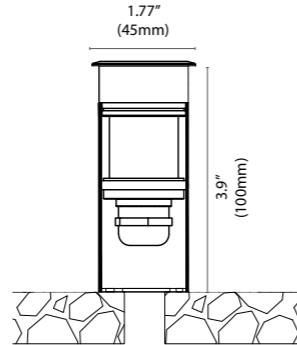
> Glare options

Glare control
0 - no half moon
1 - with half moon

> Installation



Concrete



Tiles

> Installation housing order codes

SQ35C - Concrete
SQ35T - Tiles

Ordering Information

| SQD35 | | 24 | | | | | |
|-------|--------------|--------|-------------|----------------------------------|---------|------------------|---------------|
| Model | Installation | Power | Color Temp. | Optics | Voltage | Options | Glare options |
| SQD35 | TM TS | L H | 27 30 | SP FL GR SX FX GX | 24 | C 3 6 9 | 0 1 |



Power Supply

| | |
|-----------------------|---|
| On/Off | Power Supply integrated controls |
| 103227 - LPV 35W 24V | 102345 - ELDOLED Linear 100S (DXM,DALI+PS) |
| 100995 - LPV 60W 24V | 104406 - Mono Dali 240W |
| 104460 - LPV 150W 24V | 103507 - OT250/220...240/ 24V DIM P (1-10V) |

SQP35 Paver



Square LED marker light
for outdoor and indoor use,
floor and wall installation.
ABS housing with flush clear
tempered glass lens for trim and
trimless integration into grade.
Recessed low glare led source.
Drive over rated.



SQP35 Paver

> Electrical

24 VDC fixture voltage
L - 1,2W - 26 lm
H - 3W - 65 lm

> Technical

IP67
CLASS III
IK10
UL STD 1598
Drive over rated
1500 kg (3000lb)

Low glare
Stainless steel (304) ring
Anodized aluminium body
ABS installation housing

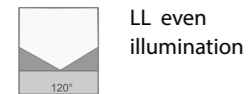
> Color

27 - 2700K
30 - 3000K
2 Step MacAdam
CRI: > 85

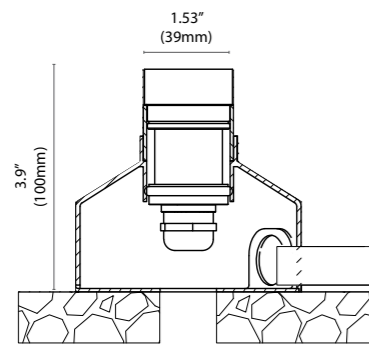
> Cable

C* - standard 0.3m
3 - 3m
6 - 6m
9 - 9m

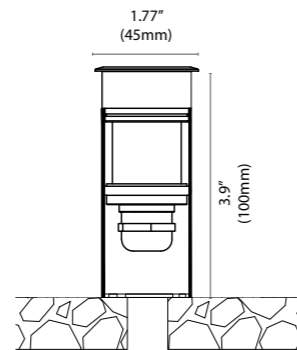
> Optics



> Installation



Concrete



Tiles

> Installation housing order codes

SQ35C - Concrete
SQ35T - Tiles

| Ordering Information | | | | | | |
|----------------------|--------------|--------|-------------|--------|---------|------------------|
| SQP35 | | 24 | | | | |
| Model | Installation | Power | Color Temp. | Optics | Voltage | Options |
| SQP35 | TM TS | L H | 27 30 | LL | 24 | C 3 6 9 |



Power Supply

| | |
|-----------------------|---|
| On/Off | Power Supply integrated controls |
| 103227 - LPV 35W 24V | 102345 - ELDOLED Linear 100S (DXM,DALI+PS) |
| 100995 - LPV 60W 24V | 104406 - Mono Dali 240W |
| 104460 - LPV 150W 24V | 103507 - OT250/220...240/ 24V DIM P (1-10V) |

SQW35 WallWash



Square LED wallwash
asymetric uplight with high
performance optics for
outdoor and indoor use,
floor and wall installation.
ABS housing with flush clear
tempered glass lens and
stainless steel ring for trim and
trimless integration.
Recessed no glare led source
with AGS - ANTI GLARE SYSTEM



SQW35 WallWash

> Electrical

24 VDC fixture voltage
L - 1,2W - 15 lm
H - 3W - 32 lm

> Technical

| | |
|------------------|----------------------------|
| IP67 | Clear tempered glass |
| CLASS III | 3/8" (10mm) |
| IK10 | Stainless steel (304) ring |
| UL STD 1598 | Anodized aluminium body |
| Drive over rated | ABS installation housing |
| 1500 kg | |
| (3000lb) | |

> Color

27 - 2700K
30 - 3000K
2 Step MacAdam
CRI: >85

> Cable

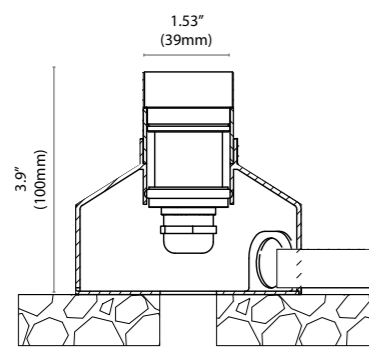
C* - standard 0.3m
3 - 3m
6 - 6m
9 - 9m

> Optics

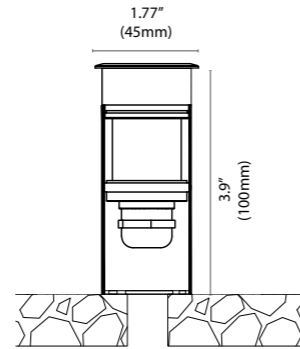


WW WallWash
26x37° tilt 14°

> Installation



Concrete



Tiles

> Installation housing order codes

SQ35C - Concrete
SQ35T - Tiles

Ordering Information

| SQW35 | | | | | | 24 |
|-------|--------------|-------|-------------|--------|---------|---------|
| Model | Installation | Power | Color Temp. | Optics | Voltage | Options |
| SQW35 | TM | L | 27 | WW | 24 | C |
| | TS | H | 30 | | | 3 |
| | | | | | | 6 |
| | | | | | | 9 |



Power Supply

| | |
|-----------------------|---|
| On/Off | Power Supply integrated controls |
| 103227 - LPV 35W 24V | 102345 - ELDOLED Linear 100S (DXM,DALI+PS) |
| 100995 - LPV 60W 24V | 104406 - Mono Dali 240W |
| 104460 - LPV 150W 24V | 103507 - OT250/220...240/ 24V DIM P (1-10V) |

FILIX

Faro 60



LED projector with base and spike installation, high performance optics for indoor and outdoor use. Machined aluminum housing for superior heat dissipation. Recessed low glare led source. Base and spike support for installation with 180° circular adjustability and 95° head adjustment.



Faro 60

> Electrical

24 VDC fixture voltage
8W - 720 Lm

> Technical

IP66
Class III
ULSTD1598
IK08
Outdoor surface mount
Spike
Tree Strap

> Color

27 - 2700K
30 - 3000K
2 Step MacAdam
CRI: 85

> Optics



SP Spot 10°



FL Flood 30°



GR Graze 49x34°

> Finish

W - RAL 9003 Structure (white)
AT - RAL 7016 Structure (grey antrachite)
B - RAL 9005 Structure (black)

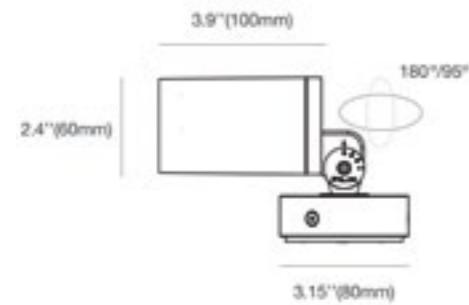
> Options

SK - Spike

> Accessories

FRSN - Snoot
FRST - Tree strap

> Dimensions



Ordering Information¹

| Model | Power | Color Temp. | Optics | Finish | Options | Accessories |
|-------|-------|----------------|----------------|--------------|---------|--------------|
| FR60 | L | 27 30 40 | SP FL GR | W AT B | SK | FRSN FRST |



Power Supply

| | |
|-----------------------|---|
| On/Off | Power Supply integrated controls |
| 103227 - LPV 35W 24V | 102345 - ELDOLED Linear 100S (DXM,DALI+PS) |
| 100995 - LPV 60W 24V | 104406 - Mono Dali 240W |
| 104460 - LPV 150W 24V | 103507 - OT250/220...240/ 24V DIM P (1-10V) |

RDT60 Tilt Adjustable



Round LED uplight with high performance optics for outdoor and indoor use, floor and wall installation. ABS housing with flush clear tempered glass lens and stainless steel for trim and trimless integration into grade. Recessed low glare led source tilt adjustable mechanism.



RDT60 Tilt Adjustable 20°

> Electrical

24 VDC fixture voltage
H - 6W - 450 lm

> Technical

IP67
CLASS III
IK010
UL STD 1598
Drive over
rated 1500 kg
(3300lb)

Clear tempered glass
3/8" (10mm)
Stainless steel (304)ring
Anodized aluminium body
ABS installation
housing

> Color

27 - 2700K
30 - 3000K
2 Step MacAdam
CRI: > 85

> Cable

C* - standard 0.3m
3 - 3m
6 - 6m
9 - 9m

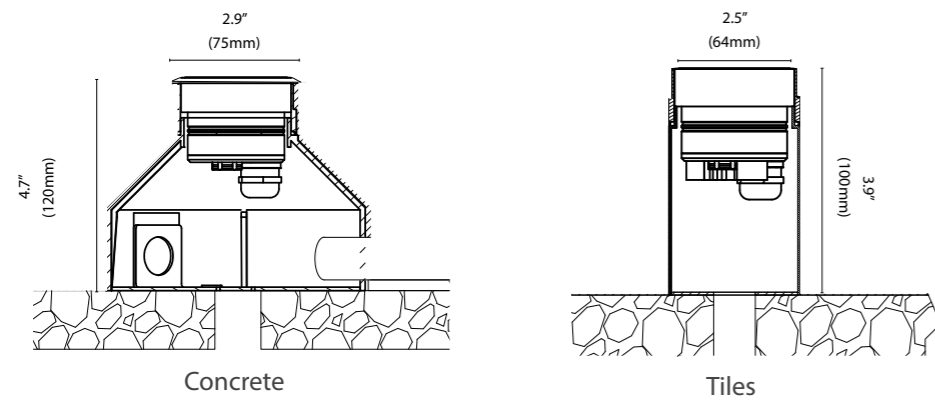
> Optics



> Glare options

Glare control
0 - no half moon
1 - with half moon

> Installation



> Installation housing order codes

RD60C - Concrete
RD60T - Tiles

Ordering Information

| Model | Installation | Power | Color Temp. | Optics | Voltage | Options | Glare control |
|-------|--------------|-------|-------------|----------------------|---------|------------------|---------------|
| RDT60 | TM TS | H | 27 30 | SP FL SX FX | 24 | C 3 6 9 | 0 1 |



Power Supply

| | |
|---|--|
| On/Off 103227 - LPV 35W 24V 100995 - LPV 60W 24V 104460 - LPV 150W 24V | Power Supply integrated controls 102345 - ELDOLED Linear 100S (DXM,DALI+PS) 104406 - Mono Dali 240W 103507 - OT250/220...240/ 24V DIM P (1-10V) |
|---|--|

RDD60 Deco



Round LED uplight with high performance optics for outdoor and indoor use, floor and wall installation. ABS housing with flush clear tempered glass lens and stainless steel for trim and trimless integration into grade. Recessed low glare led source.



RDD60 Deco

> Electrical

24 VDC fixture voltage
H - 6W - 450 lm

> Technical

IP67
CLASS III
IK10
UL STD 1598
Drive over
rated 1500 kg
(3300lb)

Clear tempered glass
3/8" (10mm)
Stainless steel (304) ring
Anodized aluminium body
ABS installation
housing

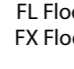
> Color

27 - 2700K
30 - 3000K
2 Step MacAdam
CRI: > 85

> Cable

C* - standard 0.3m
3 - 3m
6 - 6m
9 - 9m

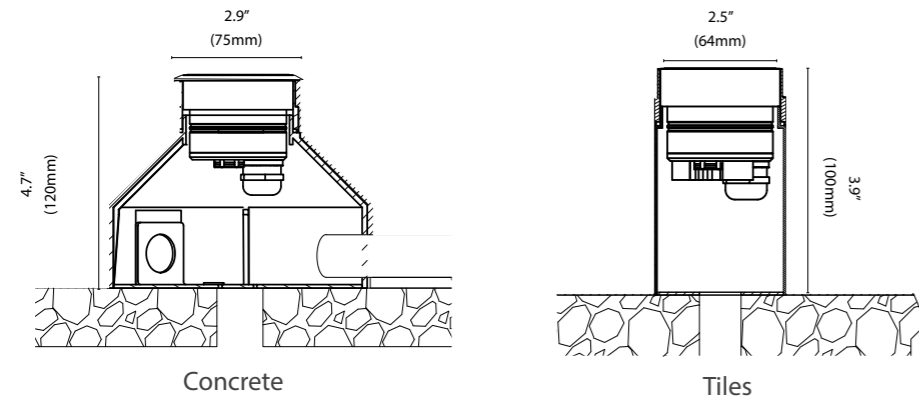
> Optics

 SP Spot 14°
 SX Spot 14°+ hex
 FL Flood 31°
 FX Flood 31°+ hex
 W Wide 50°
 WX Wide 50°+ hex

> Glare options

Glare control
0 - no half moon
1 - with half moon

> Installation



> Installation housing order codes

RD60C - Concrete
RD60T - Tiles

Ordering Information

| Model | Installation | Power | Color Temp. | Optics | Voltage | Options | Glare control |
|-------|--------------|-------|-------------|---------------------------------|---------|------------------|---------------|
| RDD60 | | H | | | 24 | | |
| RDD60 | TM TS | H | 27 30 | SP FL W SX FX WX | 24 | C 3 6 9 | 0 1 |



Power Supply

| | |
|-----------------------|---|
| On/Off | Power Supply integrated controls |
| 103227 - LPV 35W 24V | 102345 - ELDOLED Linear 100S (DXM,DALI+PS) |
| 100995 - LPV 60W 24V | 104406 - Mono Dali 240W |
| 104460 - LPV 150W 24V | 103507 - OT250/220...240/ 24V DIM P (1-10V) |

RDP60 Paver



Round LED marker light for outdoor and indoor use, floor and wall installation. ABS housing with flush sandblasted tempered glass lens for trim and trimless integration. Recessed low glare LED source. Drive over rated.



RDP60 Paver

> Electrical

24 VDC fixture voltage
L - 2.9W - 52 lm
H - 4W - 136 lm

> Technical

| | |
|---------------|----------------------------|
| IP67 | Sandblasted |
| CLASS III | tempered glass |
| IK10 | 3/8" (10mm) |
| UL STD 1598 | Stainless steel (304) ring |
| Drive over | Anodized aluminium body |
| rated 1500 KG | ABS installation |
| (3300lb) | housing |

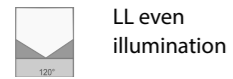
> Color

27 - 2700K
30 - 3000K
2 Step MacAdam
CRI: > 85

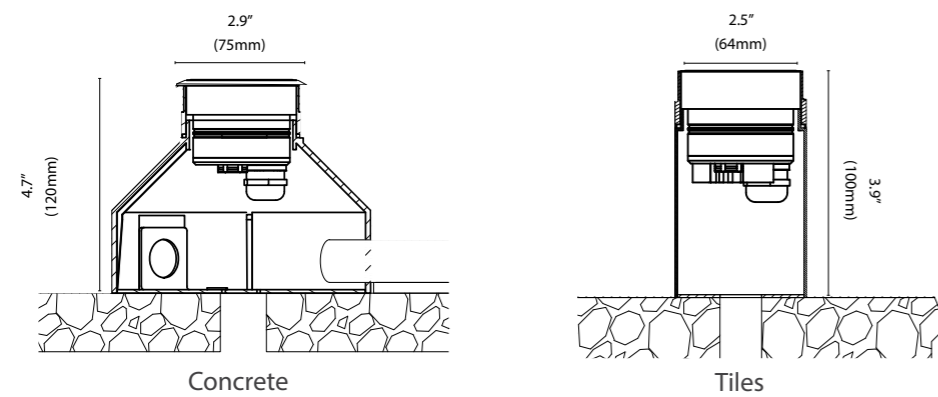
> Cable

C* - standard 0.3m
3 - 3m
6 - 6m
9 - 9m

> Optics



> Installation



> Installation housing order codes

RD60C - Concrete
RD60T - Tiles

Ordering Information

| Model | Installation | Power | Color Temp. | Optics | Voltage | Options |
|-------|--------------|--------|-------------|--------|---------|------------------|
| RDP60 | | | | LL | 24 | |
| RDP60 | TM TS | L H | 27 30 | LL | 24 | C 3 6 9 |



Power Supply

| | |
|-----------------------|---|
| On/Off | Power Supply integrated controls |
| 103227 - LPV 35W 24V | 102345 - ELDOLED Linear 100S (DXM,DALI+PS) |
| 100995 - LPV 60W 24V | 104406 - Mono Dali 240W |
| 104460 - LPV 150W 24V | 103507 - OT250/220...240/ 24V DIM P (1-10V) |

RDW60 WallWash



Round LED wallwash
asymetric uplight with high
performance optics for
outdoor and indoor use,
floor and wall installation.
ABS housing with flush
clear tempered glass lens
and stainless steel ring for
trim and trimless integration
into grade. Recessed no glare
led source with
AGS - ANTI GLARE SYSTEM



RDW60 WallWash

> Electrical

24 VDC fixture voltage
H - 6W - 109 lm

> Technical

| | |
|---------------|----------------------------|
| IP67 | Clear tempered glass |
| CLASS III | 3/8" (10mm) |
| IK10 | Stainless steel (304) ring |
| UL STD 1598 | Anodized aluminium body |
| Drive over | ABS installation |
| rated 1500 kg | housing |
| (3300lb) | |

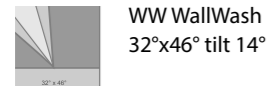
> Color

27 - 2700K
30 - 3000K
2 Step MacAdam
CRI: > 85

> Cable

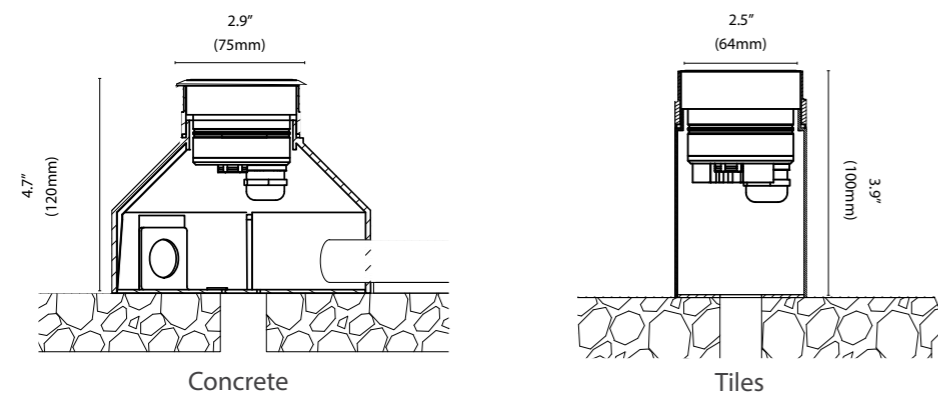
C* - standard 0.3m
3 - 3m
6 - 6m
9 - 9m

> Optics



WW WallWash
32°x46° tilt 14°

> Installation



> Installation housing order codes

RD60C - Concrete
RD60T - Tiles

Ordering Information

| Model | Installation | Power | Color Temp. | Optics | Voltage | Options |
|-------|--------------|-------|-------------|--------|---------|------------------|
| RDW60 | TM TS | H | 27 30 | WW | 24 | C 3 6 9 |



Power Supply

| | |
|-----------------------|---|
| On/Off | Power Supply integrated controls |
| 103227 - LPV 35W 24V | 102345 - ELDOLED Linear 100S (DXM,DALI+PS) |
| 100995 - LPV 60W 24V | 104406 - Mono Dali 240W |
| 104460 - LPV 150W 24V | 103507 - OT250/220...240/ 24V DIM P (1-10V) |

RDT100 Tilt Adjustable



Round LED uplight with high performance optics for outdoor and indoor use, floor and wall installation. ABS housing with flush clear tempered glass lens and stainless steel for trim and trimless integration into grade. Recessed low glare led source with tilt adjustable mechanism.



RDT100 Tilt Adjustable 20°

> Electrical

24 VDC fixture voltage
H - 10W - 690 lm

> Technical

IP67
CLASS III
IK10
UL STD 1598
Drive over
rated 1500 kg
(3300lb)

Clear tempered
glass 5/8" (15mm)
Stainless steel (304) ring
Anodized aluminium body
ABS installation
housing

> Color

27 - 2700K
30 - 3000K
2 Step MacAdam
CRI: 85

> Cable

C* - standard 0.3m
3 - 3m
6 - 6m
9 - 9m

> Optics

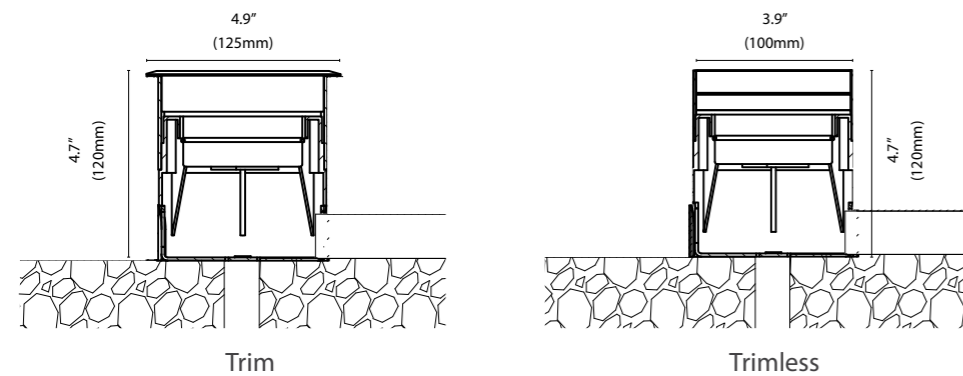
 SP Spot 14°
SX Spot 14°+ hex

 FL Flood 31°
FX Flood 31°+ hex

> Glare options

Glare control
0 - no half moon
1 - with half moon

> Installation



> Installation housing order codes

RD100C - Trim
RD100T - Trimless

Ordering Information¹

| Model | Installation | Power | Color Temp. | Optics | Voltage | Options | Glare control |
|--------|--------------|-------|-------------|----------------------|---------|---------------------|---------------|
| RDT100 | | H | | GR | 24 | | |
| RDT100 | TM TS | H | 27 30 | SP FL SX FX | 24 | C C3 C6 C9 | 0 1 |



Power Supply

| | |
|---|--|
| On/Off 103227 - LPV 35W 24V 100995 - LPV 60W 24V 104460 - LPV 150W 24V | Power Supply integrated controls 102345 - ELDOLED Linear 100S (DXM,DALI+PS) 104406 - Mono Dali 240W 103507 - OT250/220...240/ 24V DIM P (1-10V) |
|---|--|

RDD100 Deco



Round LED uplight with high performance optics for outdoor and indoor use, floor and wall installation. ABS housing with flush clear tempered glass lens and stainless steel ring for trim and trimless integration. Recessed low glare LED source with AGS - Anti Glare System Drive over rated.



RDD100 Deco

> Electrical

24 VDC fixture voltage
H - 10W - 820 lm

> Technical

IP67
CLASS III
IK10
UL STD 1598
Drive over
rated 1500 KG
(3300lb)

Clear tempered
glass 5/8" (15mm)
Stainless steel (304) ring
Anodized aluminium body
ABS installation
housing

> Color

27 - 2700K
30 - 3000K
2 Step MacAdam
CRI: > 85

> Cable

C* - standard 0.3m
3 - 3m
6 - 6m
9 - 9m

> Optics



SP Spot 17°
SX Spot 17°+ hex



FL Flood 31°
FX Flood 31°+ hex

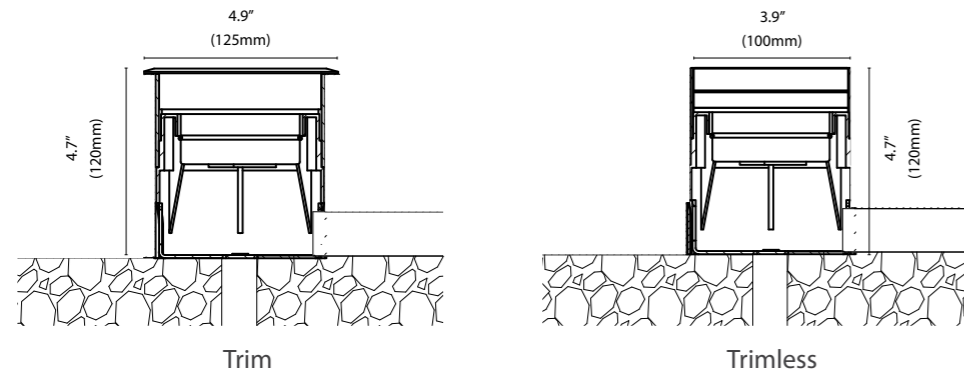


GR Graze 17°x36°
GX Graze 17°x36°+ hex

> Glare options

Glare control
0 - no half moon
1 - with half moon

> Installation



> Installation housing order codes

RD100C - Trim
RD100T - Trimless

Ordering Information

| Model | Installation | Power | Color Temp. | Optics | Voltage | Options | Glare control |
|--------|--------------|-------|-------------|----------------------------------|---------|------------------|---------------|
| RDD100 | | H | | | 24 | | |
| RDD100 | TM TS | H | 27 30 | SP FL GR SX FX GX | 24 | C 3 6 9 | 0 1 |



Power Supply

| | |
|---|--|
| On/Off 103227 - LPV 35W 24V 100995 - LPV 60W 24V 104460 - LPV 150W 24V | Power Supply integrated controls 102345 - ELDOLED Linear 100S (DXM,DALI+PS) 104406 - Mono Dali 240W 103507 - OT250/220...240/ 24V DIM P (1-10V) |
|---|--|

RDP100 Paver



Round LED marker
light for outdoor and
indoor use.
ABS housing with
trim and trimless
satin tempered glass
trim for trimless
integration into floor
surface.
Drive over rated.



RDP100 Paver

> Electrical

24 VDC fixture voltage
L - 2.9W - 65 lm
H - 4.8W - RGBW

> Technical

| | |
|---------------|----------------------------|
| IP67 | Sandblasted |
| CLASS III | tempered glass |
| IK10 | 5/8" (15mm) |
| UL STD 1598 | Stainless steel (304) ring |
| Drive over | Anodized aluminium body |
| rated 1500 kg | ABS installation |
| (3300lb) | housing |

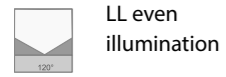
> Color

27 - 2700K
30 - 3000K
RGBW - W3000K
2 Step MacAdam
CRI: > 85

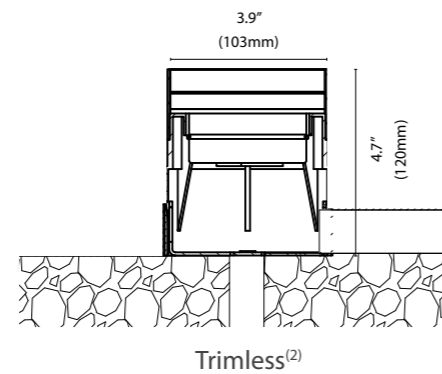
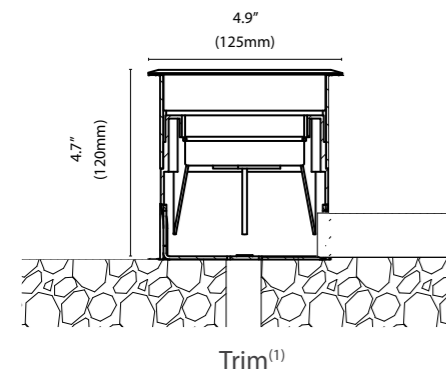
> Cable

C* - standard 0.3m
3 - 3m
6 - 6m
9 - 9m

> Optics



> Installation



> Installation housing order codes

RD100C - Trim
RD100T - Trimless

| Ordering Information | | | | | | |
|----------------------|--------------|----------------------|-------------|-----------------------|---------|---------|
| RDP100 | | 24 | | | | |
| Model | Installation | Power ⁽³⁾ | Color Temp. | Optics ⁽⁴⁾ | Voltage | Options |
| RDP100 | TM | L | 27 | LL | 24 | C |
| | TS | | 30 | | | 3 |
| | | H | RGBW | | | 6 |
| | | | | | | 9 |



Power Supply

| | |
|-----------------------|---|
| On/Off | Power Supply integrated controls |
| 103227 - LPV 35W 24V | 102345 - ELDOLED Linear 100S (DXM,DALI+PS) |
| 100995 - LPV 60W 24V | 104406 - Mono Dali 240W |
| 104460 - LPV 150W 24V | 103507 - OT250/220...240/ 24V DIM P (1-10V) |

RDW100 WallWash



Round LED wallwash
uplight with high
performance optics for
outdoor and indoor use.
ABS housing with flush
clear tempered glass
lens for trim and trimless
integration into floor
surface.
Drive over rated.



RDW100 WallWash

> Electrical

24 VDC fixture voltage
H - 8W - 230 lm

> Technical

IP67
CLASS III
IK10
UL STD 1598
Drive over
rated 1500 kg
(3300lb)

Clear tempered
glass 5/8" (15mm)
Stainless steel (304) ring
Anodized aluminium body
ABS installation
housing


> Color

27 - 2700K
30 - 3000K
2 Step MacAdam
CRI: > 85

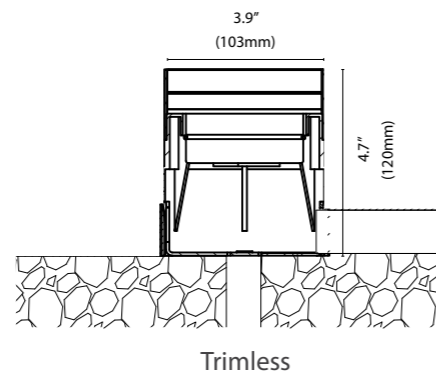
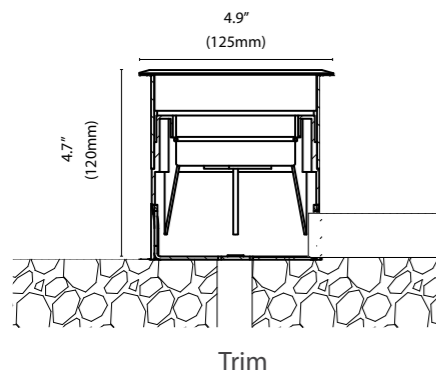
> Cable

C* - standard 0.3m
3 - 3m
6 - 6m
9 - 9m

> Optics

 WW WallWash
32°x47°
tilt 13°

> Installation



> Installation housing order codes

RD100C - Trim
RD100T - Trimless

| Ordering Information | | | | | | |
|----------------------|--------------|-------|-------------|--------|---------|------------------|
| Model | Installation | Power | Color Temp. | Optics | Voltage | Options |
| RDW100 | | | | | 24 | |
| RDW100 | TM TS | H | 27 30 | WW | 24 | C 3 6 9 |



Power Supply

| | |
|-----------------------|---|
| On/Off | Power Supply integrated controls |
| 103227 - LPV 35W 24V | 102345 - ELDOLED Linear 100S (DXM,DALI+PS) |
| 100995 - LPV 60W 24V | 104406 - Mono Dali 240W |
| 104460 - LPV 150W 24V | 103507 - OT250/220...240/ 24V DIM P (1-10V) |

RD140 Deco



Round LED high power uplight with integrated gear and high performance optics. Deeply regressed led source for reduce glare effect. Body in SS316L for exterior marine application.

RD140 Deco

> Electrical

24 VDC fixture voltage
 230 V fixture voltage (on/off)
 230D - 230V fixture voltage / Dali
 230V - 230V fixture voltage /1-10V
 L - 15W
 1300 lm (Shallow beam - S, 35mm) / 750lm (Deep beam - D, 65mm)

> Technical

IP67
 IK10
 UL STD 1598
 Drive over
 rated 1500 kg
 (3300lb)
 Clear tempered
 glass 5/8" (15mm)
 Stainless steel ring and
 body SS316
 Power supply integrated
 ABS installation
 housing

> Color

27 - 2700K
 30 - 3000K
 TW - 1800K-4000K
 M - RGBW (3000K)
 2 Step MacAdam
 CRI: > 85

> Cable

C* - standard 0.3m
 3 - 3m
 6 - 6m
 9 - 9m

> Optics



SP Spot 17°
 SX Spot 17°+ hex



FL Flood 30°
 FX Flood 30°+ hex



W Wide 50°
 WX Wide 50°+ hex

> Glare options

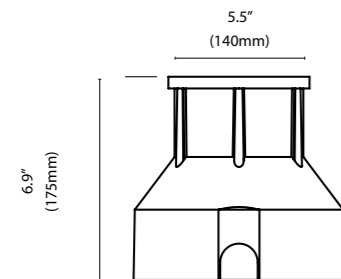
Beam Depth

S - shallow beam, optics at
 35mm from glass
 D - deep beam, optics at 65mm
 from glass

Glare control

0 - no half moon
 1 - with half moon

> Installation



Concrete

> Installation housing order codes

RD140C - Concrete

Ordering Information

| RD140 | | 24 | | | | | | |
|-------|--------------|-------|-------------|--------|---------|---------|------------|---------------|
| Model | Installation | Power | Color Temp. | Optics | Voltage | Options | Beam Depth | Glare control |
| RD140 | TM | H | 27 | SP | 24 | C* | S | 0 |
| | | | 30 | FL | 230 | 3 | D | 1 |
| | | | TW | W | 230D | 6 | | |
| | | | M | SX | 230V | 9 | | |
| | | | | FX | | | | |
| | | | | WX | | | | |



Power Supply

On/Off

103227 - LPV 35W 24V
 100995 - LPV 60W 24V
 104460 - LPV 150W 24V

Power Supply integrated controls

102345 - ELDOLED Linear 100S (DXM,DALI+PS)
 104406 - Mono Dali 240W
 103507 - OT250/220...240/ 24V DIM P (1-10V)

FILIX

RD200 Deco



Round LED high power uplight with integrated gear and high performance optics. Deeply regressed led source for reduce glare effect. Body in SS316L for exterior marine application.





RD200 Deco

> Electrical

24 VDC fixture voltage
 230 V fixture voltage (on/off)
 230D - 230V fixture voltage / Dali
 230V - 230V fixture voltage /1-10V
 L - 24W
 2200 lm (Shallow beam - S, 45mm) / 1100lm (Deep beam - D, 75mm)

> Technical

IP67
 IK10
 UL STD 1598
 Drive over
 rated 1500 kg
 (3300lb)
 Clear tempered
 glass 5/8" (15mm)
 Stainless steel ring and
 body SS316
 Power supply integrated
 ABS installation
 housing

> Color

27 - 2700K
 30 - 3000K
 TW - 1800K-4000K
 M - RGBW (3000K)
 2 Step MacAdam
 CRI: > 85

> Cable

C* - standard 0.3m
 3 - 3m
 6 - 6m
 9 - 9m

> Optics



SP Spot 17°
 SX Spot 17°+ hex



FL Flood 30°
 FX Flood 30°+ hex



W Wide 50°
 WX Wide 50°+ hex

> Glare options

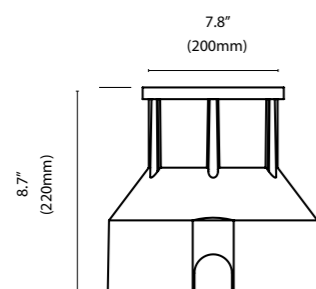
Beam Depth

S - shallow beam, optics at
 45mm from glass
 D - deep beam, optics at 75mm
 from glass

Glare control

0 - no half moon
 1 - with half moon

> Installation



Concrete

> Installation housing order codes

RD200C - Concrete

Ordering Information

| RD200 | | 24 | | | | | | |
|-------|--------------|-------|-------------|--------|---------|---------|------------|---------------|
| Model | Installation | Power | Color Temp. | Optics | Voltage | Options | Beam Depth | Glare control |
| RD200 | TM | H | 27 | SP | 24 | C* | S | 0 |
| | | | 30 | FL | 230 | 3 | D | 1 |
| | | | TW | W | 230D | 6 | | |
| | | | M | SX | 230V | 9 | | |
| | | | | FX | | | | |
| | | | | WX | | | | |



Power Supply

| On/Off | Power Supply integrated controls |
|-----------------------|---|
| 103227 - LPV 35W 24V | 102345 - ELDOLED Linear 100S (DXM,DALI+PS) |
| 100995 - LPV 60W 24V | 104406 - Mono Dali 240W |
| 104460 - LPV 150W 24V | 103507 - OT250/220...240/ 24V DIM P (1-10V) |

SQD100 Deco



Square LED up light with high performance optics for outdoor and indoor use. Stainless steel housing with flush clear tempered glass lens for trim and trimless integration into floor surface. Drive over rated.



SQD100 Deco

> Electrical

24 VDC fixture voltage
H - 6W - 480 lm

> Technical

IP67
CLASS III
IK010UL STD
1598
Drive over
rated 1500 kg
(3000lb)

Clear tempered
glass 5/8" (15mm)
Stainless steel (304) ring
Anodized aluminium body
ABS installation
housing

> Color

27 - 2700K
30 - 3000K
2 Step MacAdam
CRI: > 85

> Cable

C* - standard 0.3m
3 - 3m
6 - 6m
9 - 9m

> Optics



SP Spot 17°
SX Spot 17°+ hex

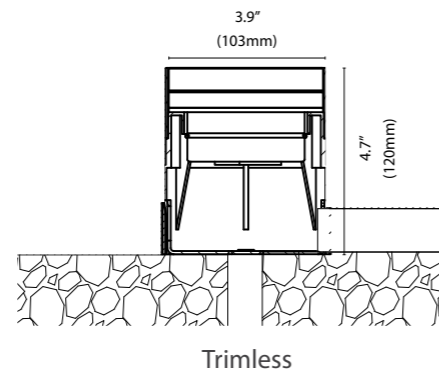
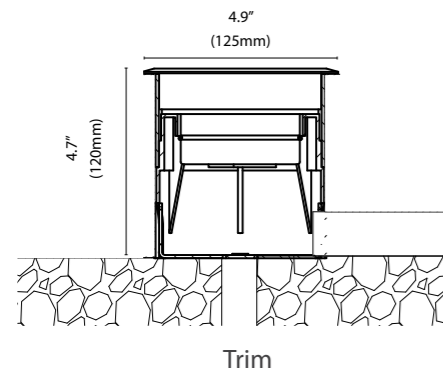


FL Flood 31°
FX Flood 31°+ hex



GR Graze 17°x36°
GR Graze 17x36°+ hex

> Installation



> Installation housing order codes

SQ100C - Trim
SQ100T - Trimless

Ordering Information

| Model | Installation | Power | Color Temp. | Optics ⁽⁴⁾ | Voltage | Options |
|--------|--------------|-------|-------------|----------------------------------|---------|------------------|
| SQD100 | | H | | | 24 | |
| SQD100 | TM TS | H | 27 30 | SP FL GR SX FX GX | 24 | C 3 6 9 |



Power Supply

On/Off
103227 - LPV 35W 24V
100995 - LPV 60W 24V
104460 - LPV 150W 24V

Power Supply integrated controls
102345 - ELDOLED Linear 100S (DXM,DALI+PS)
104406 - Mono Dali 240W
103507 - OT250/220...240/ 24V DIM P (1-10V)

SQT100 Deco



Square LED up light with high performance optics for outdoor and indoor use. Stainless steel housing with flush clear tempered glass lens for trim and trimless integration into floor surface. Drive over rated.



SQT100 Deco

> Electrical

24 VDC fixture voltage
H -10W - 690 lm

> Technical

IP67
CLASS III
IK010UL STD
1598
Drive over
rated 1500 kg
(3000lb)

Tilt Adjustable 20°
Clear tempered
glass 5/8" (15mm)
Stainless steel (304) ring
Anodized aluminium body
ABS installation
housing

> Color

27 - 2700K
30 - 3000K
2 Step MacAdam
CRI: > 85

> Cable

C* - standard 0.3m
3 - 3m
6 - 6m
9 - 9m

> Optics

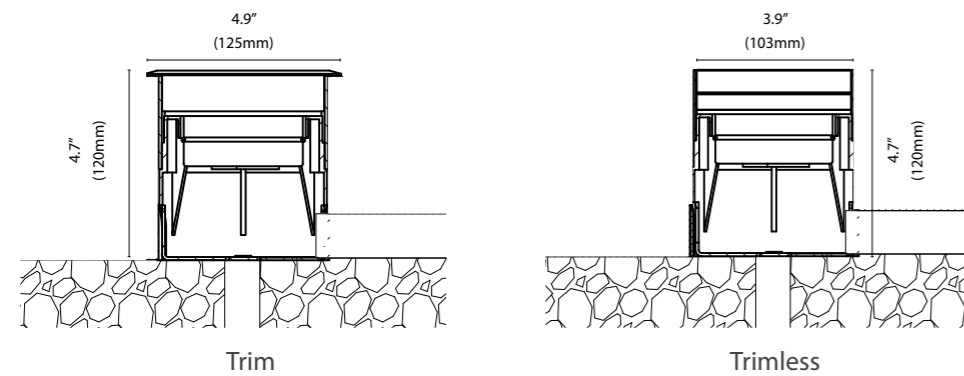


SP Spot 17°
SX Spot 17°+ hex



FL Flood 31°
FX Flood 31°+ hex

> Installation



> Installation housing order codes

SQ100C - Trim
SQ100T - Trmless

| Ordering Information | | | | | | |
|----------------------|--------------|-------|-------------|------------------------|---------|------------------|
| Model | Installation | Power | Color Temp. | Optics ⁽⁴⁾ | Voltage | Options |
| SQT100 | | H | | | 24 | |
| SQT100 | TM TS | H | 27 30 | SP FL SPX FLX | 24 | C 3 6 9 |



Power Supply

| | |
|-----------------------|---|
| On/Off | Power Supply integrated controls |
| 103227 - LPV 35W 24V | 102345 - ELDOLED Linear 100S (DXM,DALI+PS) |
| 100995 - LPV 60W 24V | 104406 - Mono Dali 240W |
| 104460 - LPV 150W 24V | 103507 - OT250/220...240/ 24V DIM P (1-10V) |

SQP100 Paver



Square LED marker light
for outdoor and indoor use.
Stainless steel housing
with flush satin tempered
glass lens for trim and
trimless integration into
floor surface.
Drive over rated.



SQP100 Paver

> Electrical

24 VDC fixture voltage
L - 2.9W - 65 lm
H - 4.8W - RGBW

> Technical

| | |
|---------------|----------------------------|
| IP67 | Sandblasted |
| CLASS III | tempered glass |
| IK10 | 5/8" (15mm) |
| UL STD 1598 | Stainless steel (304) ring |
| Drive over | Anodized aluminium body |
| rated 1500 kg | ABS installation |
| (3300lb) | housing |

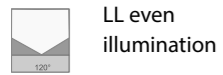
> Color

27 - 2700K
30 - 3000K
RGBW
2 Step MacAdam
CRI: > 85

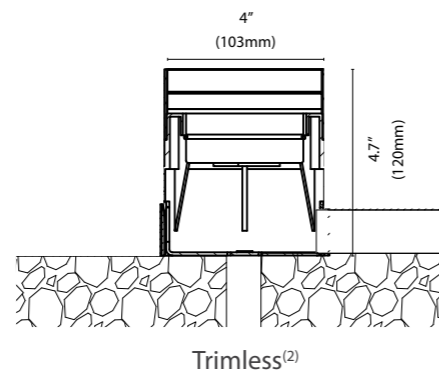
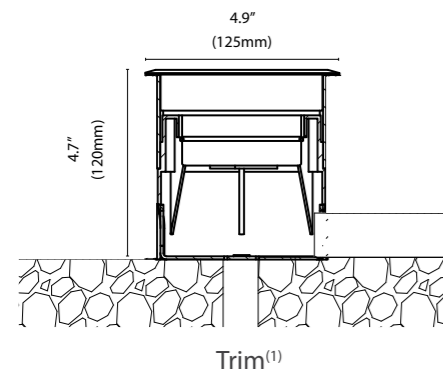
> Cable

C* - standard 0.3m
3 - 3m
6 - 6m
9 - 9m

> Optics



> Installation



> Installation housing order codes

SQ100C - Trim
SQ100T - Trimless

| Ordering Information | | | | | | |
|----------------------|--------------|--------------------|-------------|--------|---------|---------|
| Model | Installation | Power ^d | Color Temp. | Optics | Voltage | Options |
| SQP100 | | | | | 24 | |
| SQP100 | TM | L | 27 | LL | 24 | C |
| | TS | | 30 | | | 3 |
| | | H | RGBW | | | 6 |
| | | | | | | 9 |



Power Supply

| | |
|-----------------------|---|
| On/Off | Power Supply integrated controls |
| 103227 - LPV 35W 24V | 102345 - ELDOLED Linear 100S (DXM,DALI+PS) |
| 100995 - LPV 60W 24V | 104406 - Mono Dali 240W |
| 104460 - LPV 150W 24V | 103507 - OT250/220...240/ 24V DIM P (1-10V) |

SQW100 WallWash



Square LED wallwash
uplight with high
performance optics for
outdoor and indoor use.
ABS housing with flush
clear tempered glass
lens for trim and trimless
integration into floor
surface.
Drive over rated.



SQW100 WallWash

> Electrical


24 VDC fixture voltage
H - 6W - 250 lm

> Technical

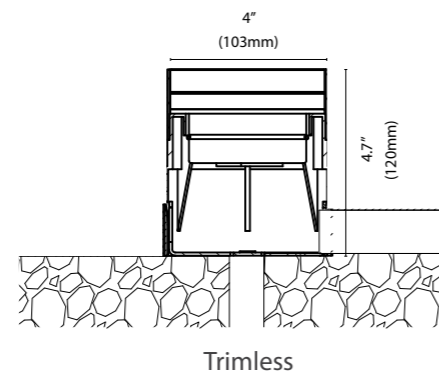
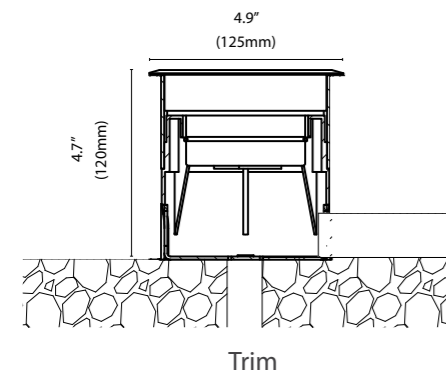
IP67
CLASS III
IK10
UL STD 1598
Drive over
rated 1500 kg
(3300lb)

Clear tempered
glass 5/8" (15mm)
Stainless steel (304) ring
Anodized aluminium body
ABS installation
housing

> Optics

 WW WallWash
32°x47° tilt 14°

> Installation



> Color

27 - 2700K
30 - 3000K
2 Step MacAdam
CRI: > 85

> Cable

C* - standard 0.3m
3 - 3m
6 - 6m
9 - 9m

> Installation housing order codes

SQ100C - Trim
SQ100T - Trimless

Ordering Information

| Model | Installation | Power ¹ | Color Temp. | Optics | Voltage | Options |
|--------|--------------|--------------------|-------------|--------|---------|------------------|
| SQW100 | TM TS | H | 27 30 | WW | 24 | C 3 6 9 |



Power Supply

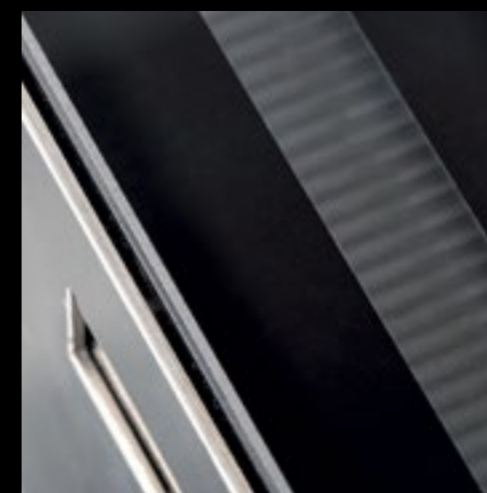
On/Off
103227 - LPV 35W 24V
100995 - LPV 60W 24V
104460 - LPV 150W 24V

Power Supply integrated controls
102345 - ELDOLED Linear 100S (DXM,DALI+PS)
104406 - Mono Dali 240W
103507 - OT250/220...240/ 24V DIM P (1-10V)

Zero G



Linear Inground wall grazer. Slim and elegant in size 45mm width. Incorporates linear molded optics to maximize output as well as to allow linear illumination. Linear molded optics reflect a very clean light taking the dots visibility away allowing the light to be linear. At the same time the optic removes single chip discoloration, setting the light to be uniform in color and output. Above the optics, a special glare control tool is implemented to control the glare completely on both x and y-axis.



Zero G

> Electrical

24 VDC fixture voltage
H - 39W/m - 720 lm

> Technical

IP67
CLASS III
IK10
US STD 1598
Drive over rated
1500 kg (3300lb)
Zero Glare

IN/OUT cable feed
Clear tempered glass
3/8" (10mm)
Stainless steel 304
construction

> Color

27 - 2700K
30 - 3000K
TW - 2200-4000K
2 Step MacAdam
CRI: 85

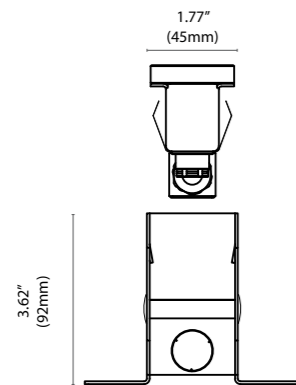
> Cable

C* - standard 0.3m
In/out

> Optics



> Installation



> Installation Housing codes

LIN174 - 174mm
LIN324 - 324mm
LIN624 - 624mm
LIN1224 - 1224mm

Ordering Information¹

| ZG | Lenght | Power | Color Temp. | Optics | Voltage | Options |
|----|---------------------------|-------|----------------|--------|---------|---------|
| ZG | 174 324 624 1224 | H | 27 30 TW | GR | 24 | C |



Power Supply

| | |
|---|--|
| On/Off 103227 - LPV 35W 24V 100995 - LPV 60W 24V 104460 - LPV 150W 24V | Power Supply integrated controls 102345 - ELDOLED Linear 100S (DXM,DALI+PS) 104406 - Mono Dali 240W 103507 - OT250/220...240/ 24V DIM P (1-10V) |
|---|--|

Eter



Linear Wallwash luminaire designed for recessed installation for exterior or interior applications. High output, vertical illumination while eliminating glare and maintaining an even line of light. Drive over rated.



Eter

> Electrical

24 VDC fixture voltage
H - 23W/m - 920 lm

> Technical

| | |
|------------------|--------------------------|
| IP67 | Clear tempered glass |
| CLASS III | 3/8" (10mm) wallwash |
| IK10 | effect, continous run of |
| US STD 1598 | standard lengths |
| Drive over rated | Stainless steel 304 |
| 1500 kg (3300lb) | construction |

> Color

27 - 2700K
30 - 3000K
2 Step MacAdam
CRI: > 85

> Cable

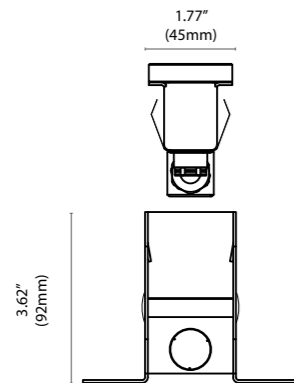
C* - standard 0.3m
3 - 3m
6 - 6m
9 - 9m

> Optics



WW Wall Wash 28° tilt

> Installation



> Installation housing order codes

LIN174 - 174mm
LIN324 - 324mm
LIN624 - 624mm
LIN1224 - 1224mm

| Ordering Information | | | | | | |
|----------------------|--------|-------|-------------|--------|---------|---------|
| ET | 24 | | | | | |
| Model | Length | Power | Color Temp. | Optics | Voltage | Options |
| ET | 174 | H | 27 | WW | 24 | C |
| | 324 | | 30 | | | 3 |
| | 624 | | | | | 6 |
| | 1224 | | | | | 9 |



Power Supply

| | |
|-----------------------|---|
| On/Off | Power Supply integrated controls |
| 103227 - LPV 35W 24V | 102345 - ELDOLED Linear 100S (DXM,DALI+PS) |
| 100995 - LPV 60W 24V | 104406 - Mono Dali 240W |
| 104460 - LPV 150W 24V | 103507 - OT250/220...240/ 24V DIM P (1-10V) |

StepUp Deco



Linear light with high performance optics for outdoor and indoor use. Stainless steel housing with flush tempered glass lens for trimless integration into floor surface. Drive over rated.



StepUp Deco

> Electrical

24 VDC fixture voltage
 H - 39W/m - 3160 lm
 H - 39W/m - RGBW -multichip

> Technical

IP67
 CLASS III
 IK10
 US STD 1598
 Drive over rated
 1500 kg
 (3000lb)

Clear tempered glass
 3/8" (10mm)
 Stainless steel 304
 construction


> Color


27 - 2700K
 30 - 3000K
 RGBW
 2 Step MacAdam
 CRI: > 85


> Cable

C* - standard 0.3m
 3 - 3m
 6 - 6m
 9 - 9m

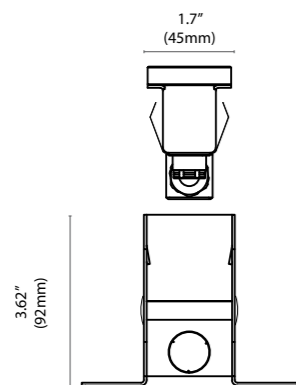
> Optics

 SP Spot 13°
 SX Spot 13° + lin.louvre

 FL Flood 31°
 FX Flood 31° + lin.louvre

 GR Graze 14°x 40°
 GX Graze 14°x 40°+ lin.

> Installation



> Installation housing order codes

LIN174 - 174mm
 LIN324 - 324mm
 LIN624 - 624mm
 LIN1224 - 1224mm

Ordering Information

| Model | Length | Power ² | Color Temp. | Optics | Voltage | Options |
|-------|--------------------|--------------------|------------------|----------------------------------|---------|------------------|
| SD | 324 624 1224 | H | 27 30 RGBW | SP FL GR SX FX GX | 24 | C 3 6 9 |



| Power Supply | |
|-----------------------|---|
| On/Off | Power Supply integrated controls |
| 103227 - LPV 35W 24V | 102345 - ELDOLED Linear 100S (DXM,DALI+PS) |
| 100995 - LPV 60W 24V | 104406 - Mono Dali 240W |
| 104460 - LPV 150W 24V | 103507 - OT250/220...240/ 24V DIM P (1-10V) |

Slim



Continuous linear line of light for outdoor and indoor use.
Stainless steel housing with flush glass lens for trimless integration into floor.
Drive over rated.



StepUp Slim

> Electrical

24 VDC fixture voltage
 L - 10W/m - 150 lm
 H - 23W/m - 300 lm
 H - 32W/m - RGBW (W-3000K)

> Technical

IP67
 CLASS III
 IK10
 UL STD 1598
 Drive over rated
 3000kg (6600lb)
 Corner element
 Clear glass 2x5/8" (15mm) thick, with inner opal film to create even line of light
 Stainless steel 304 construction
 IN/OUT connector

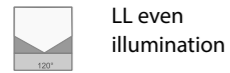
> Color

27 - 2700K
 30 - 3000K
 40 - 4000K
 RGBW
 2 Step MacAdam
 CRI: > 85
 RGBW (W-3000K)

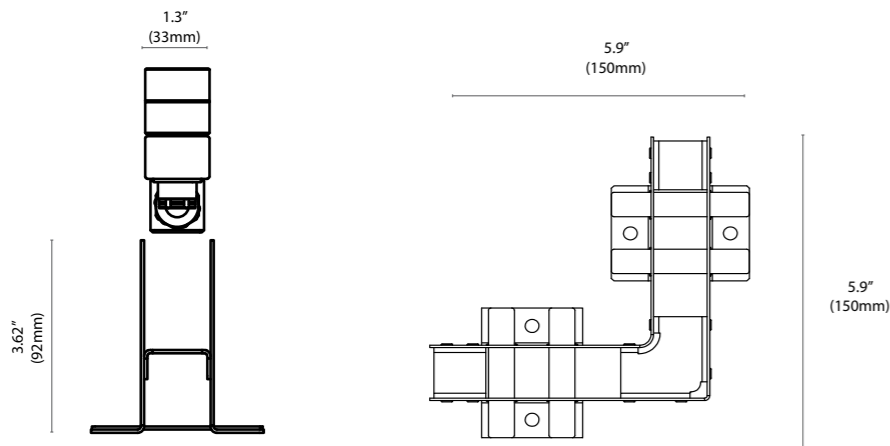
> Cable

C* - standard 0.3m
 3 - 3m
 6 - 6m
 9 - 9m

> Optics



> Installation



> Installation housing order codes

SL315 - 401mm
 SL317 - 1001mm
 SLCO - 151mm x 151mm

Ordering Information

| Model | Length | Power | Color Temp. | Optics | Voltage | Options |
|-------|--------|-------|-------------|--------|---------|---------|
| SL | 400 | L | 27 | LL | 24 | C |
| | 1000 | | 30 | | | 3 |
| | C150 | | 40 | | | 6 |
| | | H | 27 | | | 9 |
| | | | 30 | | | |
| | | | 40 | | | |
| | | | RGBW | | | |



Power Supply

| On/Off | Power Supply integrated controls |
|-----------------------|---|
| 103227 - LPV 35W 24V | 102345 - ELDOLED Linear 100S (DXM,DALI+PS) |
| 100995 - LPV 60W 24V | 104406 - Mono Dali 240W |
| 104460 - LPV 150W 24V | 103507 - OT250/220...240/ 24V DIM P (1-10V) |

Step Up Wide



Continuous linear line of light for outdoor and indoor use. Stainless steel housing with flush glass lens for trimless integration into floor. Chasing light RGBW, IK69K Drive over rated.



StepUp Wide

> Electrical

24 VDC fixture voltage
 L - 10W/m - Amber, 2700K, 3000K, RGBW, RGBWA (W - 3000K) (900lm)
 H - 23W/m - Amber, 2700K, 3000K, RGBW, RGBWA (W - 3000K) (1700lm)

> Technical

IP69K
 CLASS III
 IK10
 UL STD 1598
 Drive over rated
 5000kg (1100lb)
 Tuneable white
 Clear tempered glass 10mm"
 Even line of light
 Chasing light option 100mm
 Stainless steel 304 construction
 IN/OUT connector

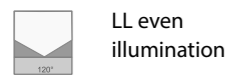
> Color

A - Amber
 27 - 2700K
 30 - 3000K
 RGBW (W-3000K)
 RGBWA (W-3000K)
 2 Step MacAdam
 CRI: > 85

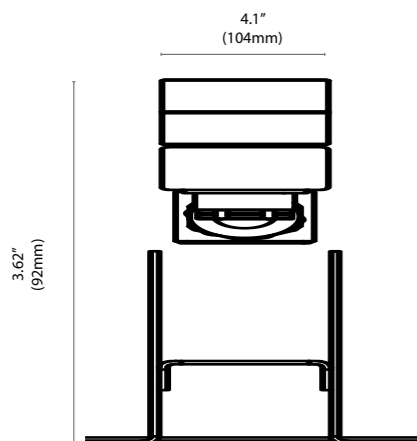
> Cable

C* - standard 1m
 3 - 3m
 6 - 6m
 9 - 9m

> Optics



> Installation



> Installation housing order codes

SLW - 401mm
 SLW - 1001mm

| Ordering Information | | | | | | |
|----------------------|--------|-------|---------------------|--------|---------|---------|
| SL | | | LL | 24 | | |
| Model | Length | Power | Color Temp. | Optics | Voltage | Options |
| SLW | 400 | L | A | LL | 24 | C |
| | 1000 | | 27 | | 230 | 3 |
| | | | 30 RGBW RGBWA | | 110 | 6 9 |
| | | H | A | | | |
| | | | 27 | | | |
| | | | 30 RGBW RGBWA | | | |



Power Supply

| | |
|-----------------------|---|
| On/Off | Power Supply integrated controls |
| 103227 - LPV 35W 24V | 102345 - ELDOLED Linear 100S (DXM,DALI+PS) |
| 100995 - LPV 60W 24V | 104406 - Mono Dali 240W |
| 104460 - LPV 150W 24V | 103507 - OT250/220...240/ 24V DIM P (1-10V) |

Snake



Linear curvable ingrade element for continious run and flexible radius adjustment. Body in stainless steel with glass finish for trimless integration. Walk over rated.

Snake

> Electrical

24VDC fixture voltage
 H - 2.3W - 80lm
 H - 2.3W RGBW (W - 3000K)

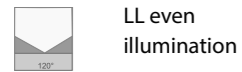
> Technical

| | |
|-----------------|---------------------|
| IP67 | Sandblasted |
| CLASS III | tempered glass |
| IK10 | 0.62" (16mm) thick |
| UL STD 1598 | Stainless steel 304 |
| Walk over rated | construction |
| 1500 kg | ABS housing |
| (3300lb) | |

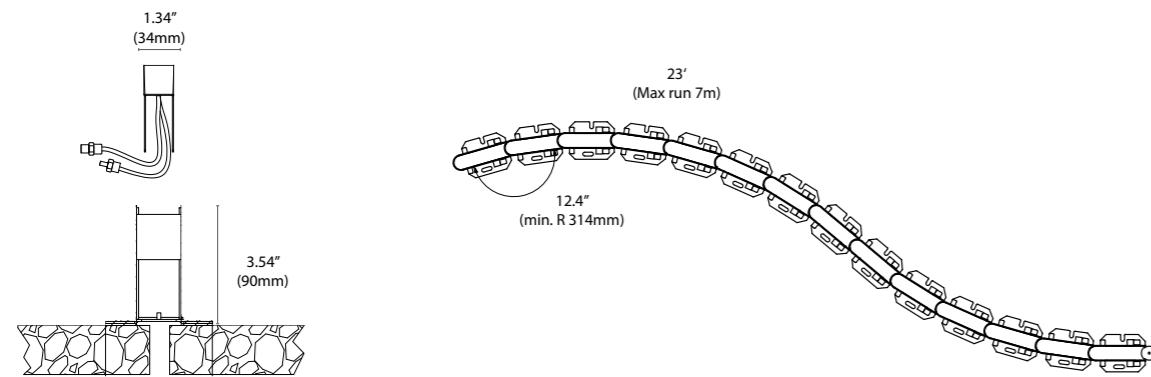
> Color

27 - 2700K
 30 - 3000K
 40 - 4000K
 RGBW
 2 Step MacAdam
 CRI: > 85

> Optics



> Installation



> Installation housing order codes

SN355

| Ordering Information | | | | | | | | |
|----------------------|--------|-------|------------------------|-----------------------|---------|----------------|-----------------|--|
| Model | Length | Power | Color Temp. | Optics ⁽⁴⁾ | Voltage | Options | | |
| | | | | | | Jumper Cable | Lead Cable | |
| SN | 100 | H | 27 30 40 RGBW | LL | 24 | 102796 L=1m | 104068 L= 1m | |



Power Supply

| | |
|-----------------------|---|
| On/Off | Power Supply integrated controls |
| 103227 - LPV 35W 24V | 102345 - ELDOLED Linear 100S (DXM,DALI+PS) |
| 100995 - LPV 60W 24V | 104406 - Mono Dali 240W |
| 104460 - LPV 150W 24V | 103507 - OT250/220...240/ 24V DIM P (1-10V) |

Snake Deco



Linear curvable ingrade element for continious run and flexible radius adjustment. Body in stainless steel with transparent glass finish for uplight and wall wash effect. Walk over rated.



Snake Deco

> Electrical

24VDC fixture voltage
H - 2.3W - 350 lm

> Technical

IP67
CLASS III
IK10
UL STD 1598
Walk over rated
1500kg
(3300lb)

Clear tempered glass
0.31" (8mm) thick
Stainless steel 304
construction
ABS housing

> Color

27 - 2700K
30 - 3000K
40 - 4000K
2 Step MacAdam
CRI: > 85

> Optics

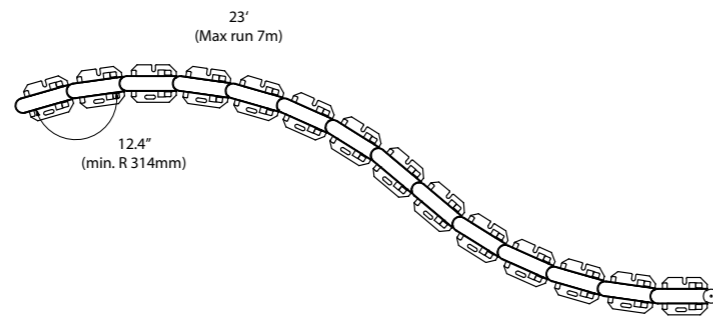
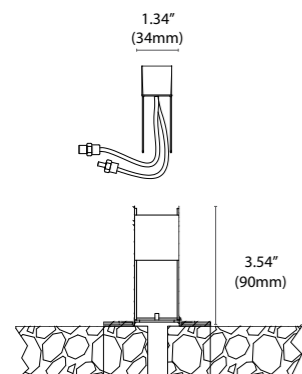


SP Spot 17°



FL Flood 31°

> Installation



> Installation housing order codes

SN335

Ordering Information

| Ordering Information | | | | | | | |
|----------------------|--------|-------|----------------|----------|---------|----------------|-----------------|
| SND | | | | | | | |
| 24 | | | | | | | |
| Model | Length | Power | Color Temp. | Optics | Voltage | Options | |
| | | | | | | Jumper Cable | Lead Cable |
| SND | 100 | H | 27 30 40 | SP FL | 24 | 102796 L=1m | 104068 L= 1m |



Power Supply

| | |
|-----------------------|---|
| On/Off | Power Supply integrated controls |
| 103227 - LPV 35W 24V | 102345 - ELDOLED Linear 100S (DXM,DALI+PS) |
| 100995 - LPV 60W 24V | 104406 - Mono Dali 240W |
| 104460 - LPV 150W 24V | 103507 - OT250/220...240/ 24V DIM P (1-10V) |

Ion Switch



High quality bollard with double surface protection such as anodisation and powder coat. Two height options available with 5 light effects 90, 2x 90, 180, 270 and 360, degrees radial optics. Anchor allows solid, safe and anti-vandal installation. Through feed junction box and integrated controls allow easy connection and light control.

Ion Switch

> Electrical

110-240V
 23W - 865 Lm (360 degrees)
 D - Dali
 V - 0-10V

> Technical

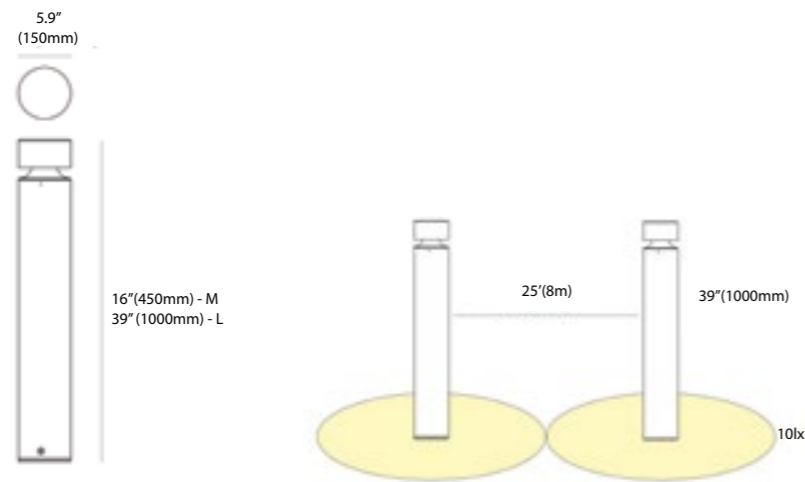
IP66
 ULSTD1598
 IK10
 Anchor

Aluminum body
 Powder coated
 Stainless steel screws
 On site switch for light distribution
 On site head movement

> Paint

W - RAL 9003 Structure (white)
 AT - RAL 7016 Structure (grey anthracite)
 BK - RAL 9005 Structure (black)

> Dimensions & light effects



> Color

27 - 2700K
 30 - 3000K
 40 - 4000K
 2 Step MacAdam
 CRI: 85

> Optics

QM 0-360
 Degrees
 (switch port)
 4m Radius

> Installation anchor order codes

201846 - Anchor

Ordering Information

| IN | | | | | | |
|-------|--------|-------|-------------|-----------------|---------------|---------|
| Model | Height | Power | Color Temp. | Optics (Radial) | Paint | Options |
| IN | M | L | 27 | QM | W AT BK | D V |
| | L | | 30 | | | |
| | | | 40 | | | |



Ion Matrix



Sensor controled high quality bollard with double surface protection such as anodisation and powder coat. Two height options available with 5 light effects 90, 2x 90, 180, 270, and 360, degrees radial optics. Anchor allows solid, safe and anti-vandal installation. Through feed junction box and integrated controls allow easy connection and light control. Sensor reading technology empowers sustainable and energy efficient lighting.

Ion Matrix

> Electrical

110-240V
 23W - 865 Lm (360 degrees)
 D - Dali
 V - 0-10V


> Technical

IP66
 ULSTD1598
 IK10
 Anchor
 PIR sensor reading 4m radius
 Aluminum body
 Powder coated
 Stainless steel screws

> Color

27 - 2700K
 30 - 3000K
 40 - 4000K
 2 Step MacAdam
 CRI: 85

> Optics

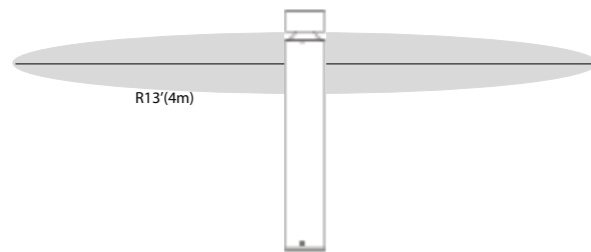
 QM 0-360 Degrees
 4m Radius

> Paint

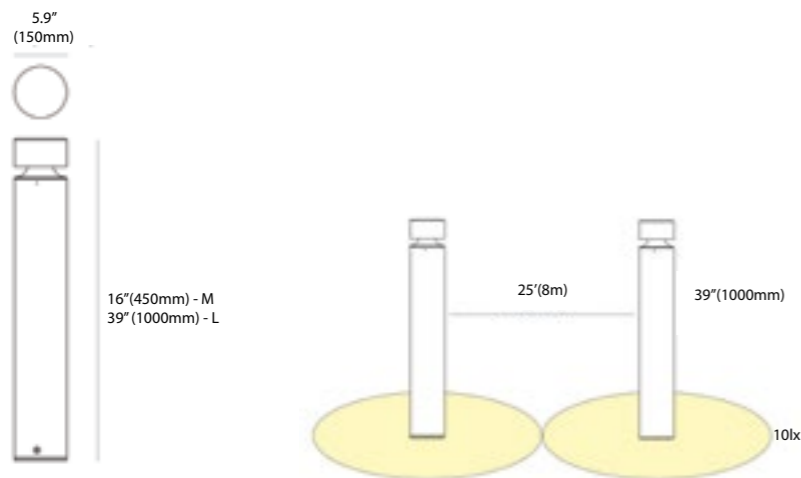
W - RAL 9003 Structure (white)
 AT - RAL 7016 Structure (grey anthracite)
 BK - RAL 9005 Structure (black)

> PIR Sensor reading (4m radius)

Auto adjust light output
 10% preset to 100%



> Dimensions & light effects



> Installation anchor order codes

201846 - Anchor

Ordering Information

| INX | | | | | | |
|-------|--------|------|----------------|-----------------|---------------|---------|
| Model | Height | Powe | Color Temp. | Optics (Radial) | Paint | Options |
| INX | M L | L | 27 30 40 | QM | W AT BK | D V |



Hemera Hecto



Linear surface mounted solution with integrated high performance optics for outdoor use. Extruded aluminum anodized and powder coated housing for architectural landmarks.





Hemera Hecto

> Electrical

39W/M, 4300lm
 24V
 230V - 220-240VAC
 230X - 220-240VAC DMX
 230D - 220-240VAC DALI
 230D - 220-240VAC 0-10V
 DMX/RDM, DALI 0-10V, PWM
 Ethernet Via Supply box

> Technical

IP66
 Class I/II
 ULSTD1598
 IK10 /IEC/TR62696
 Aluminum anodized body,
 powder coated
 Adjustable multiposition-
 bracket 90 degrees
 Integrated controls
 Tempered glass surface

> Color

27 - 2700K
 30 - 3000K
 40 - 4000K
 RGBW (W 4000K)
 2 Step MacAdam
 CRI: 85

> Certification and Safety

EMC 220-277V, 50/60HZ
 ENEC22/SIQ - LVD & EMC
 SALT CHAMBER 500h @35 deg.
 PHOTOBIOLOGICAL TEST IEC/
 TR62778 @ 4000K
 VIBRATION RESISTANCE 3G (IEC
 60068-2-6 ANSI C 136-31:2010

> Optics



NS - Narrow spot 8°x8°
 MS - Medium spot 15°x15°
 NF - Narrow flood 30°x30°
 MF - Medium flood 40°x40°
 W - Wide 60°x60°
 SY - Spot asymmetric 10°x20°
 NY - Narrow asymmetric 10°x60°
 MY - Medium asymmetric 10°x60°

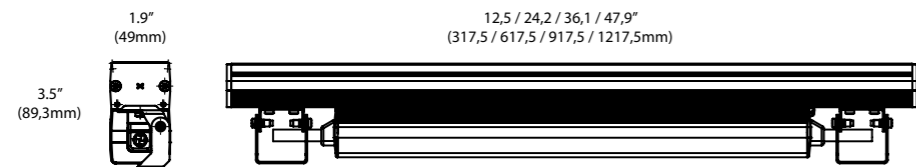
> Glare control

1 - External louvre
 2 - External Glare shield

> Paint

B - Black
 G - Grey RAL 9005

> Dimensions



> Cable additions

YZ1 - Jumper cable L=1,5m (5)
 XZ1 - Lead cable L=3m (9)

Ordering Information

| HM | | 24 | | | | | |
|-------|--------|-------|-------------|--------|---------|--------|---------------|
| Model | Lenght | Power | Color Temp. | Optics | Voltage | Paint | Glare control |
| HK | 320 | H | 27 | NS | 24 | B G | 1 2 |
| | 620 | | 30 | MS | 230 | | |
| | 920 | | 40 | NF | 230X | | |
| | 1220 | | RGBW | MF | 230D | | |
| | | | | W | 230V | | |
| | | | SY | | | | |
| | | | | NY | | | |
| | | | | MY | | | |



Hemera



Linear surface mount solution with integrated performance optics for outdoor and indoor use. Machined aluminum housing for improved heat dissipation.



Hemera

> Electrical

24VDC fixture voltage
 L - 10W/m - 1200 lm
 H - 23W/m - 2700 lm

> Technical


IP65
 Class III
 ULSTD1598
 IK07

Aluminum body
 Glass top surface
 High performance silicone optics
 RAL9003
 IN-OUT IP67 connector (10m run)

> Color

27 - 2700K
 30 - 3000K
 40 - 4000K
 2 Step MacAdam
 CRI: 85

> Optics

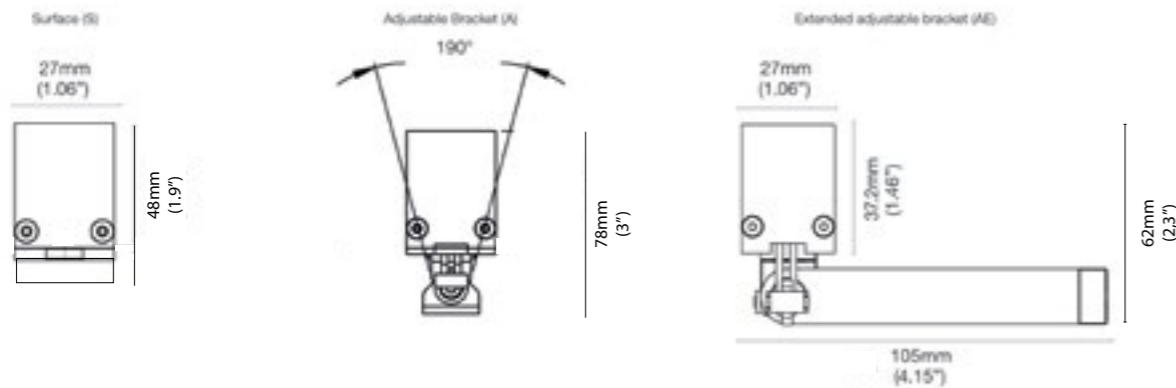
 GR 15x60 degrees

> Paint

W - RAL 9003 Structure (white) - standard
 AT - RAL 7016 Structure (grey anthracite)
 BK - RAL 9005 Structure (black)

> Installation

S - Surface
 A - Adjustable bracket
 EA - Extended adjustable bracket



> Cable additions

201741 - Jumper cable L=1m
 201734 - Lead cable L=1m
 202232 - Lead cable L=2m
 201987 - Lead cable L=5m

Ordering Information

| Model | Lenght | Power | Color Temp. | Optics | Voltage | Installation Options | Paint options |
|-------|--------|-------|-------------|--------|---------|----------------------|---------------|
| HM | 170 | L | 27 | SP | 24 | S | W |
| | 320 | H | 30 | | | A | AT |
| | 620 | | 40 | | | EA | BK |
| | 920 | | | | | | |
| | 1070 | | | | | | |
| | 1220 | | | | | | |



Power Supply

| | |
|-----------------------|---|
| On/Off | Power Supply integrated controls |
| 103227 - LPV 35W 24V | 102345 - ELDOLED Linear 100S (DXM,DALI+PS) |
| 100995 - LPV 60W 24V | 104406 - Mono Dali 240W |
| 104460 - LPV 150W 24V | 103507 - OT250/220...240/ 24V DIM P (1-10V) |

FILIX
H2O



FILIX

H20

Arpool S Projector



Underwater LED projector with high performance optics with snoot option. Glass lens creates optical effect of narrow and wide beam. For private and public water features.



Arpool S Projector

> Electrical

12/24 VDC fixture voltage
 L - 3W - 250 lm - L power can be used also outside the water permanently
 H - 6W - 450 lm
 H - 6W - RGBW (W - 4000K)

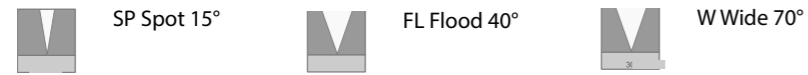
> Technical

IP68
 CLASS III
 UL STD 676
 CSA C22.2#89
 Installation depth up to 5m
 Pools and fountains
 Chlorine and saline environment
 Stainless steel 316L
 Cable 3m, 6m 9m, 20m

> Color

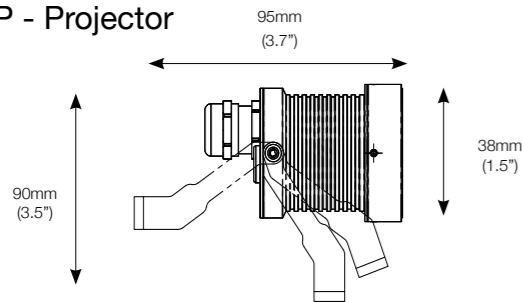
30 - 3000K
 40 - 4000K
 RGBW (W - 4000K)
 3 Step MacAdam
 CRI: > 85

> Optics

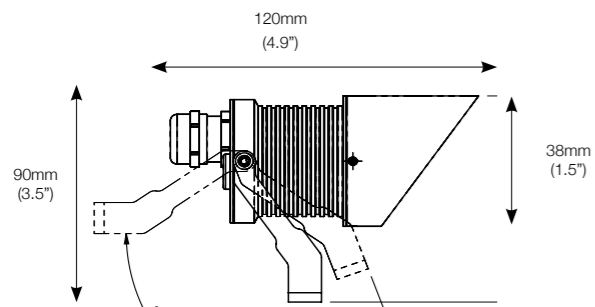


> Installation

P - Projector



PS - Projector snoot



ASPS - Projector snoot

> Installation housing order codes

ASPS - projector snoot

Ordering Information

| Model | Power | Color Temp. | Optics | Voltage | Options |
|-------|-------|------------------|---------------|----------|-------------------|
| ASP | L | 30 40 | SP FL W | 12 24 | 3 6 9 20 |
| | H | 30 40 RGBW | | | |



Power Supply

| | |
|---|--|
| Power supply On/Off - 12V 104463 - LPV 35 12V 101728 - LPV 60 12V 104582 - LPV 150 12V Power supply with integrated controls - 12V 102345 - ELDOLED Linear Drive 100S (DXM,DALI+PS) Controls - 12V 104472 - PWM 120-12 DALI 12V 104158 - PWM 60-12 1-10V 12V | Power supply On/Off - 24V 103227 - LPV 35W 24V 100996 - LPV 60W 24V 104460 - LPV 150W 24V Power supply with integrated controls - 24V 102345 - ELDOLED Linear Drive 100S (DXM,DALI+PS) Controls - 24V 104406 - MONO DALI 240W 101047 - OTI DALI DIM 120W 1CH 103507 - OT250/220...240V/24V DIM (1/10V) |
|---|--|

FILIX

H2O

Arpool M Projector



Underwater LED projector with high performance optics with snoot option. Glass lens creates optical effect of narrow and wide beam. For private and public water features.



Arpool M Projector

> Electrical

12/24 VDC fixture voltage
 L - 9W - 600 lm
 H - 15W - 1000 lm
 H - 15W - RGBW (W - 4000K)

> Technical

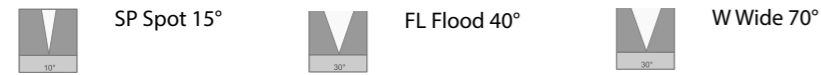
IP68
 CLASS III
 UL STD 676
 CSA C22.2#89

Installation depth up to 5m
 Pools and fountains
 Chlorine and saline environment
 Stainless steel 316L
 Cable 3m, 6m 9m, 20m

> Color

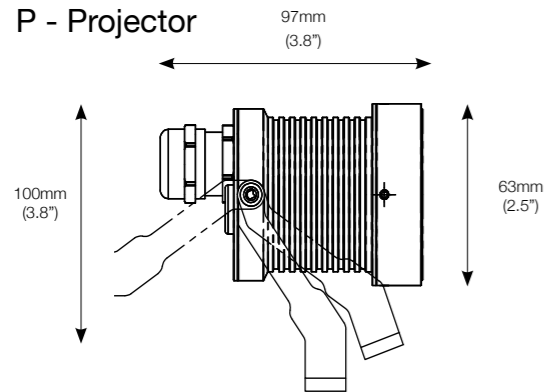
30 - 3000K
 40 - 4000K
 RGBW (W - 4000K)
 3 Step MacAdam
 CRI: > 85

> Optics

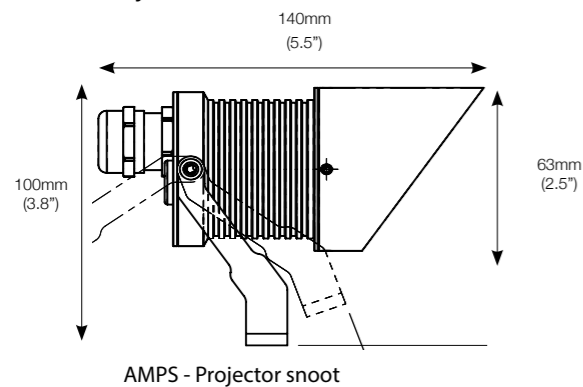


> Installation

P - Projector



PS - Projector snoot



> Installation housing order codes

AMPS - projector snoot

Ordering Information

| AMP | | | | 12 | |
|-------|-------|-------------|--------|---------|---------|
| Model | Power | Color Temp. | Optics | Voltage | Options |
| AMP | L | 30 | SP | 12 | 3 |
| | | 40 | FL | 24 | 6 |
| | | | | W | |
| H | | 30 | | | 20 |
| | | 40 | | | |
| | | RGBW | | | |



Power Supply

| | |
|--|---|
| Power supply On/Off - 12V 104463 - LPV 35 12V 101728 - LPV 60 12V 104582 - LPV 150 12V | Power supply On/Off - 24V 103227 - LPV 35W 24V 100996 - LPV 60W 24V 104460 - LPV 150W 24V |
| Power supply with integrated controls - 12V 102345 - ELDOLED Linear Drive 100S (DXM,DALI+PS) | Power supply with integrated controls - 24V 102345 - ELDOLED Linear Drive 100S (DXM,DALI+PS) |
| Controls - 12V 104472 - PWM 120-12 DALI 12V 104158 - PWM 60-12 1-10V 12V | Controls - 24V 104406 - MONO DALI 240W 101047 - OTI DALI DIM 120W 1CH 103507 - OT250/220...240V/24V DIM (1/10V) |

FILIX

H20

Arpool XM Projector



Underwater LED projector with high performance optics with snoot option. Glass lens creates optical effect of narrow and wide beam. For private and public water features.



Arpool XM Projector

> Electrical

12/24 Vdc fixture voltage
 L - 21W - 1700 lm
 L - 21W - RGBW (W - 4000K)

> Technical

IP68
 CLASS III
 UL STD 676
 CSA C22.2#89

Installation depth 5m
 Pools and water features
 Chlorine and saline environment
 Stainless steel 316L
 Cable 3m, 6m 9m, 20m

> Color

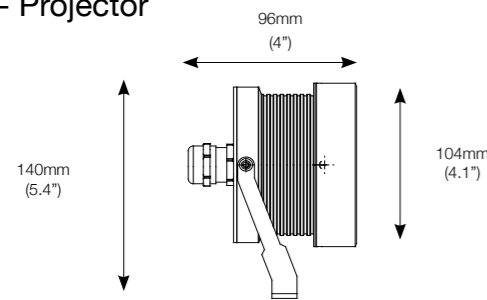
30 - 3000K
 40 - 4000K
 RGBW (W - 4000K)
 3 Step MacAdam
 CRI: > 85

> Optics

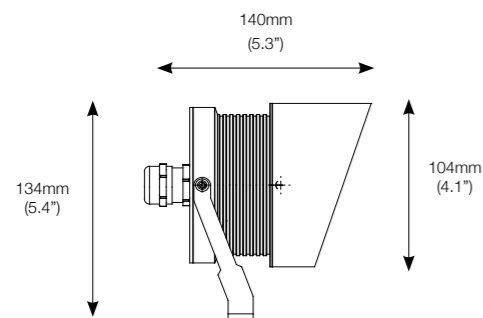


> Installation

P - Projector



PS - Projector snoot



AXMPS - Projector snoot



> Installation housing order codes

AXMPS - projector snoot

Ordering Information

| AXMP | | | | | |
|-------|-------|-------------|--------|---------|---------|
| Model | Power | Color Temp. | Optics | Voltage | Options |
| AXMP | L | 30 | SP | 12 | 3 |
| | | 40 | FL | 24 | 6 |
| | | RGBW | W | | 9 |
| | | | SE | | 20 |



Power Supply

Power supply On/Off - 12V

104463 - LPV 35 12V
 101728 - LPV 60 12V
 104582 - LPV 150 12V

Power supply with integrated controls - 12V

102345 - ELDOLED Linear Drive 100S (DXM,DALI+PS)

Controls - 12V

104472 - PWM 120-12 DALI 12V
 104158 - PWM 60-12 1-10V 12V

Power supply On/Off - 24V

103227 - LPV 35W 24V
 100996 - LPV 60W 24V
 104460 - LPV 150W 24V

Power supply with integrated controls - 24V

102345 - ELDOLED Linear Drive 100S (DXM,DALI+PS)

Controls - 24V

104406 - MONO DALI 240W
 101047 - OTI DALI DIM 120W 1CH
 103507 - OT250/220...240V/24V DIM (1/10V)

FILIX

H2O

Arpool S



Underwater LED with high performance optics with trim and trimless options. Glass lens creates optical effect of narrow and wide beam. For private, public and hospitality pools.



Arpool S

> Electrical

12/24 VDC fixture voltage
 L - 3W - 250 lm - wattage to be used out of the water permanently
 H - 6W - 450 lm
 H - 6W - RGBW (W - 4000K)

> Technical

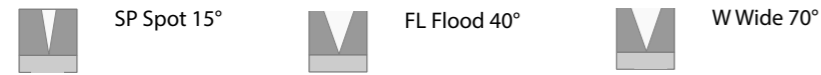
IP68
 CLASS III
 UL STD 676
 CSA C22.2#89

Installation depth 5m
 Concrete and stainless pools
 Chlorine and saline environment
 Stainless steel 316L
 Cable 3m, 6m 9m, 20m

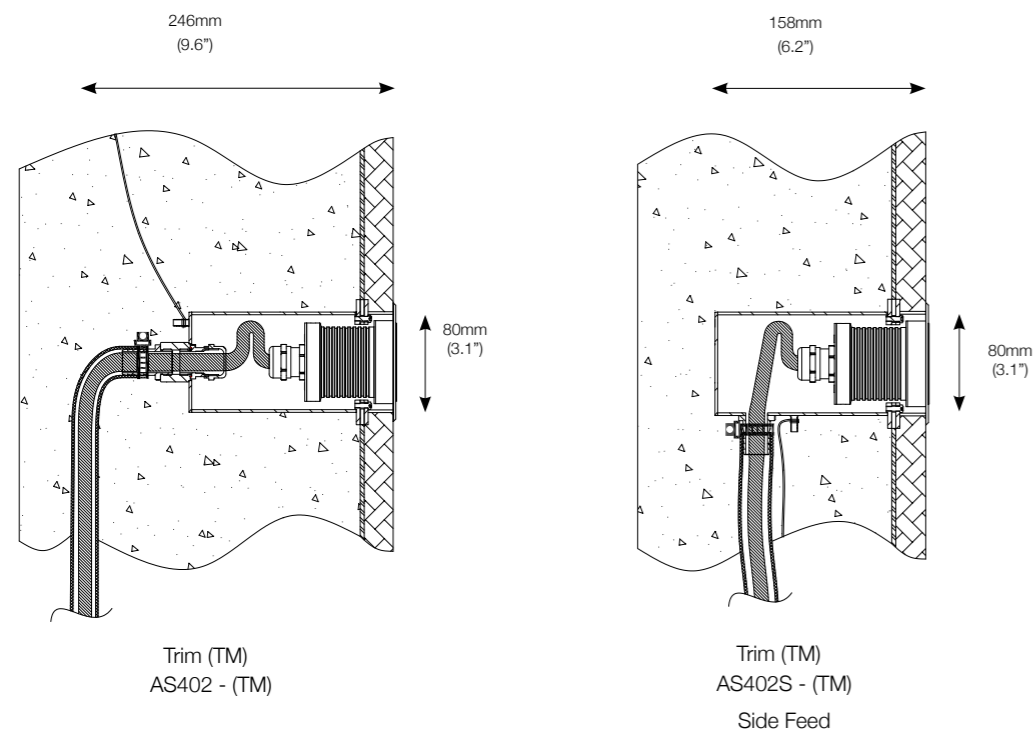
> Color

30 - 3000K
 40 - 4000K
 RGBW (W - 4000K)
 3 Step MacAdam
 CRI: > 85

> Optics



> Installation



> Installation housing order codes

AS402 - back feed
 AS402S - side feed
 AS402SP - stainless steel pool
 AS402LN - liner pool

| Ordering Information | | | | | | |
|----------------------|--------------|-------|-------------|--------|---------|---------|
| AS | TM | | | | | |
| Model | Installation | Power | Color Temp. | Optics | Voltage | Options |
| AS | TM | L | 30 | SP | 12 | 3 |
| | | | 40 | FL | 24 | 6 |
| | | H | 30 | W | | 9 |
| | | | 40 | | | 20 |
| | | | RGBW | | | |



| Power Supply | |
|--|---|
| Power supply On/Off - 12V 104463 - LPV 35 12V 101728 - LPV 60 12V 104582 - LPV 150 12V | Power supply On/Off - 24V 103227 - LPV 35W 24V 100996 - LPV 60W 24V 104460 - LPV 150W 24V |
| Power supply with integrated controls - 12V 102345 - ELDOLED Linear Drive 100S (DXM,DALI+PS) | Power supply with integrated controls - 24V 102345 - ELDOLED Linear Drive 100S (DXM,DALI+PS) |
| Controls - 12V 104472 - PWM 120-12 DALI 12V 104158 - PWM 60-12 1-10V 12V | Controls - 24V 104406 - MONO DALI 240W 101047 - OTI DALI DIM 120W 1CH 103507 - OT250/220...240V/24V DIM (1/10V) |

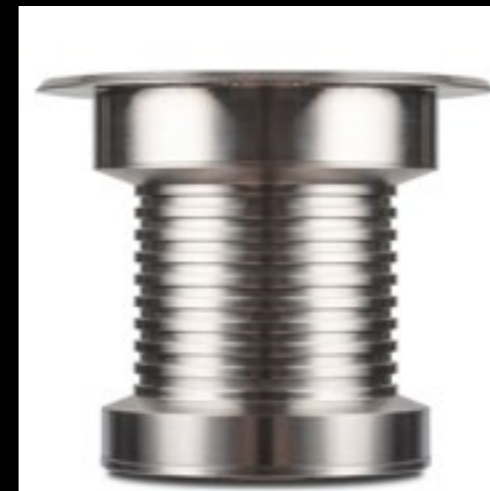
FILIX

H2O

Arpool M



Underwater LED with high performance optics with trim option. Glass lense creates optical effect of narrow and wide beam. For private, public and hospitality pools.



Arpool M

> Electrical

12/24 VDC fixture voltage
 L - 9W - 600 lm
 H - 15W - 1000 lm
 H - 15W - RGBW (W - 4000K)

> Technical

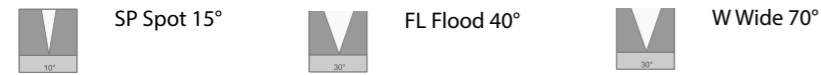
IP68
 CLASS III
 UL STD 676
 CSA C22.2#89

Installation depth 5m
 Concrete and stainless pools
 Chlorine and saline environment
 Stainless steel 316L
 Cable 3m, 6m 9m, 20m

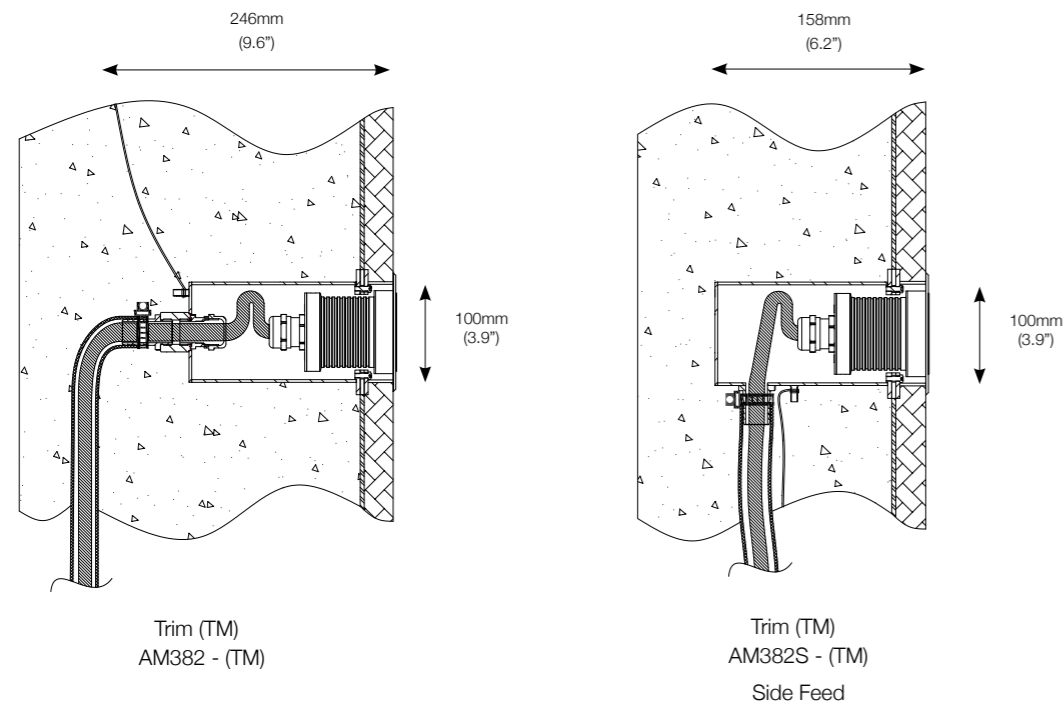
> Color

30 - 3000K
 40 - 4000K
 RGBW (W - 4000K)
 3 Step MacAdam
 CRI: > 85

> Optics



> Installation



> Installation housing order codes

AM382 - back feed
 AM382S - side feed
 AM382SP - stainless steel pool
 AM382LN - liner pool

| Ordering Information | | | | | | |
|----------------------|--------------|-------|-------------|--------|---------|---------|
| AM | TM | | | | | |
| Model | Installation | Power | Color Temp. | Optics | Voltage | Options |
| AM | TM | L | 30 | SP | 12 | 3 |
| | | | 40 | FL | 24 | 6 |
| | | H | 30 | W | | 9 |
| | | | 40 | | | 20 |
| | | | RGBW | | | |



| Power Supply | |
|--|---|
| Power supply On/Off - 12V 104463 - LPV 35 12V 101728 - LPV 60 12V 104582 - LPV 150 12V | Power supply On/Off - 24V 103227 - LPV 35W 24V 100996 - LPV 60W 24V 104460 - LPV 150W 24V |
| Power supply with integrated controls - 12V 102345 - ELDOLED Linear Drive 100S (DXM,DALI+PS) | Power supply with integrated controls - 24V 102345 - ELDOLED Linear Drive 100S (DXM,DALI+PS) |
| Controls - 12V 104472 - PWM 120-12 DALI 12V 104158 - PWM 60-12 1-10V 12V | Controls - 24V 104406 - MONO DALI 240W 101047 - OTI DALI DIM 120W 1CH 103507 - OT250/220...240V/24V DIM (1/10V) |

FILIX

H2O

Arpool XM



Underwater LED with high performance optics with trim option. Glass lens creates optical effect of narrow and wide beam. Extreme elegance with high lumen output allows in private, public and hospitality pools.



Arpool XM

> Electrical

12/24 Vdc fixture voltage
 L - 21W - 1700 lm
 L - 21W - RGBW (W - 4000K)

> Technical

IP68
 CLASS III
 UL STD 676
 CSA C22.2#89

Installation depth 5m
 Concrete and stainless pools
 Chlorine and saline environment
 Stainless steel 316L
 Cable 3m, 6m 9m, 20m

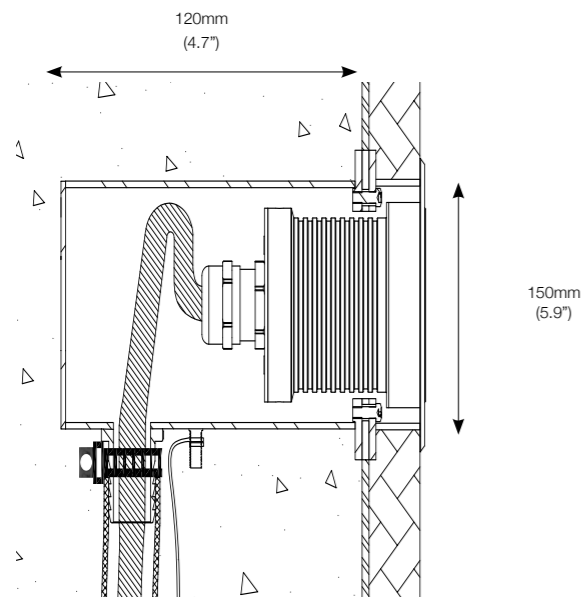
> Color

30 - 3000K
 40 - 4000K
 RGBW (W - 4000K)
 3 Step MacAdam
 CRI: > 85

> Optics



> Installation



Trim (TM)
 AXM390 - (TM)

> Installation housing order codes

AXM390 - TM
 AXMLN - Liner pool
 AXMSS - Stainless steel pool

| Ordering Information | | | | | | |
|----------------------|--------------|-------|------------------|---------------------|----------|-------------------|
| Model | Installation | Power | Color Temp. | Optics | Voltage | Options |
| AXM | | | | | 12 | |
| AXM | TM | L | 30 40 RGBW | SP FL W SE | 12 24 | 3 6 9 20 |



| Power Supply | |
|--|---|
| Power supply On/Off - 12V 104463 - LPV 35 12V 101728 - LPV 60 12V 104582 - LPV 150 12V | Power supply On/Off - 24V 103227 - LPV 35W 24V 100996 - LPV 60W 24V 104460 - LPV 150W 24V |
| Power supply with integrated controls - 12V 102345 - ELDOLED Linear Drive 100S (DXM,DALI+PS) | Power supply with integrated controls - 24V 102345 - ELDOLED Linear Drive 100S (DXM,DALI+PS) |
| Controls - 12V 104472 - PWM 120-12 DALI 12V 104158 - PWM 60-12 1-10V 12V | Controls - 24V 104406 - MONO DALI 240W 101047 - OTI DALI DIM 120W 1CH 103507 - OT250/220...240V/24V DIM (1/10V) |

FILIX

H2O

Arpool L



Underwater LED with high performance optics with trim and trimless options. PC lens creates optical effect of narrow and wide beam. For private, public and hospitality pools.

Arpool L

> Electrical

12/24 VDC fixture voltage
 L - 35W - 2625 lm
 H - 65W - 4400 lm
 L - 35W - RGBW (W - 4000K)
 H - 65W - RGBW (W - 4000K)

> Technical

IP68
 CLASS III
 UL STD 676
 CSA C22.2#89
 *Corrosion protection C4
 Severe ISO9227

Installation depth 5m
 Concrete and stainless pools
 Chlorine and saline environment
 Stainless steel 316L
 Cable 3m, 6m 9m, 20m

> Color

30 - 3000K
 40 - 4000K
 RGBW (W - 4000K)
 3 Step MacAdam
 CRI: > 85

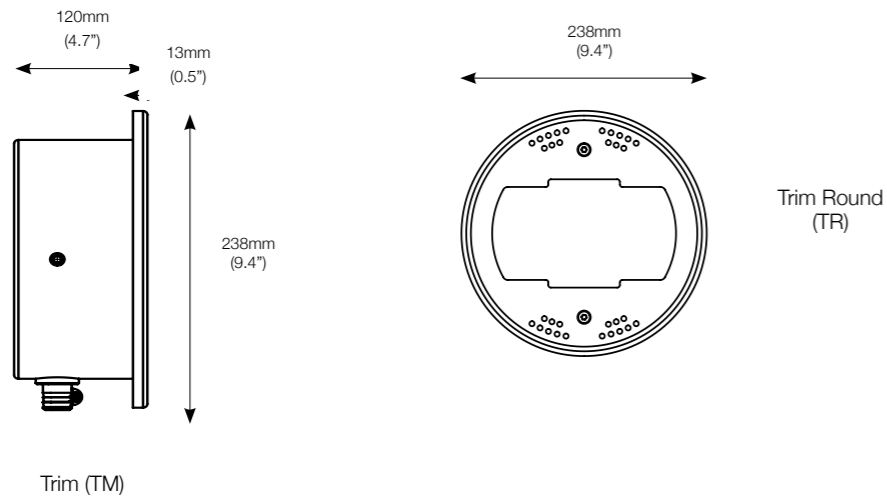
> Finish

P - Polished

> Optics



> Installation



> Installation housing order codes

AL370 - TM
 AL370SP - stainless steel pool
 AL370LN - liner pool

| Ordering Information | | | | | | | |
|----------------------|--------------|--------|-------|-------------|--------|---------|---------|
| Model | Installation | Finish | Power | Color Temp. | Optics | Voltage | Options |
| AL | TR | P | L | 30 | SP | 12 | 3 |
| | | | H | 40 | FL | 24 | 6 |
| | | | | RGBW | W | | 9 |
| | | | | | EL | | 20 |
| | | | | | SE | | |

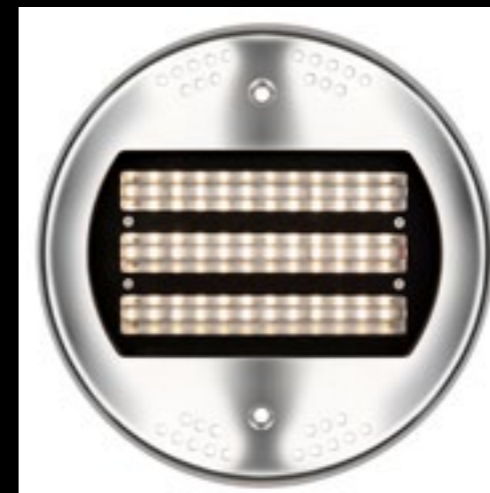


| Power Supply | |
|---|--|
| Power supply On/Off - 12V 104463 - LPV 35 12V 101728 - LPV 60 12V 104582 - LPV 150 12V Power supply with integrated controls - 12V 102345 - ELDOLED Linear Drive 100S (DXM,DALI+PS) Controls - 12V 104472 - PWM 120-12 DALI 12V 104158 - PWM 60-12 1-10V 12V | Power supply On/Off - 24V 103227 - LPV 35W 24V 100996 - LPV 60W 24V 104460 - LPV 150W 24V Power supply with integrated controls - 24V 102345 - ELDOLED Linear Drive 100S (DXM,DALI+PS) Controls - 24V 104406 - MONO DALI 240W 101047 - OTI DALI DIM 120W 1CH 103507 - OT250/220...240V/24V DIM (1/10V) |

FILIX

H2O

Arpool Dawn



Underwater LED with high performance optics with trim option and wide elliptical optics. Glass lens creates optical effect of narrow and super wide beam. Enhanced and modern design for private, public and hospitality pools.

Arpool Dawn

> Electrical

12/24 VDC fixture voltage
 L - 35W - 2900 lm
 L - 35W - RGBW (W - 4000K)

> Technical

IP68
 CLASS III
 UL STD 676
 CSA C22.2#89
 *Corrosion protection C4
 Severe ISO9227

Installation depth 5m
 Concrete and stainless pools
 Chlorine and saline environment
 Stainless steel 316L
 Cable 3m, 6m 9m, 20m

> Color

30 - 3000K
 40 - 4000K
 RGBW (W - 4000K)
 3 Step MacAdam
 CRI: > 85

> Finish

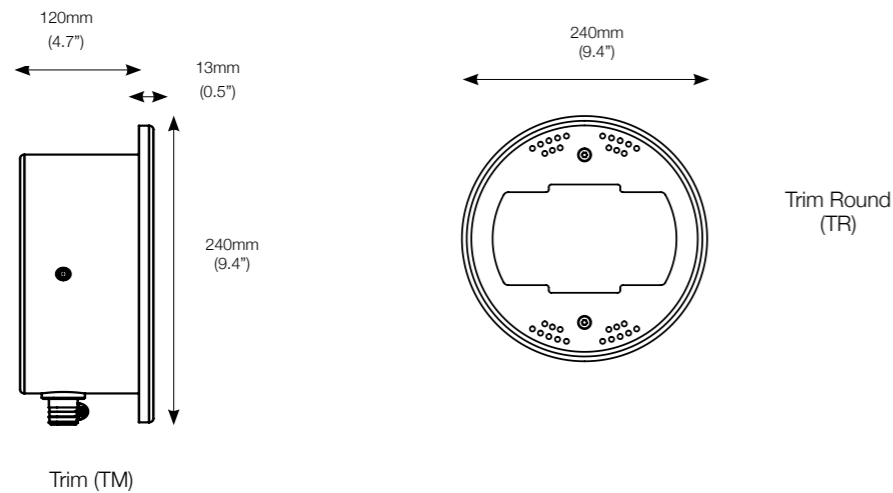
P - Polished

> Optics

 EL Elliptical
 15x120°

 EA Elliptical Asymmetric
 15x120°x15° tilt

> Installation



> Installation housing order codes

AL370 - TM
 AL370 SP - stainless steel pool
 AL370 LN - liner pool

Ordering Information

| Model | Installation | Finish | Power | Color Temp. | Optics | Voltage | Options |
|-------|--------------|--------|-------|------------------|----------|----------|-------------------|
| ALD | TR | P | L | 30 40 RGBW | EL EG | 12 24 | C 6 9 20 |



Power Supply

| | |
|---|--|
| <p>Power supply On/Off - 12V</p> <p>101052 - OT30 12V P 101053 - OT60 12V P 100879 - OT120 12V P</p> <p>Power supply with integrated controls - 12V</p> <p>102345 - ELDOLED Linear Drive 100S (DXM,DALI+PS)</p> <p>Controls - 12V</p> <p>102788 - OT DMX RGBW DIM 12/24V - 89W 101047 - OTI DALI DIM 60W 1CH 101046 - OT DIM 60W (1-10V)</p> | <p>Power supply On/Off - 24V</p> <p>103233 - OT60 24V P 103196 - OT130 24V P 103234 - OT250 24V P</p> <p>Power supply with integrated controls - 24V</p> <p>102345 - ELDOLED Linear Drive 100S (DXM,DALI+PS)</p> <p>Controls - 24V</p> <p>102788 - OT DMX RGBW DIM 12/24V - 183W 101047 - OTI DALI DIM 120W 1CH 101046 - OT DIM 60W (1-10V)</p> |
|---|--|

Arpool Coral



Underwater LED with high performance optics with trim option and wide elliptical optics. Glass lens creates optical effect of narrow and super wide beam. Enhanced and modern design for private, public and hospitality pools.

Arpool Coral

> Electrical

12/24 VDC fixture voltage
 L - 9W - 2700K - 4000K, 90 lm
 L - 9W - RGBW (W4000K)

> Technical

IP68
 CLASS III
 UL STD 676
 CSA C22.2#89

Installation depth 5m and
 outdoor no water
 Concrete and stainless pools
 Chlorine and saline
 environment
 Stainless steel 316L

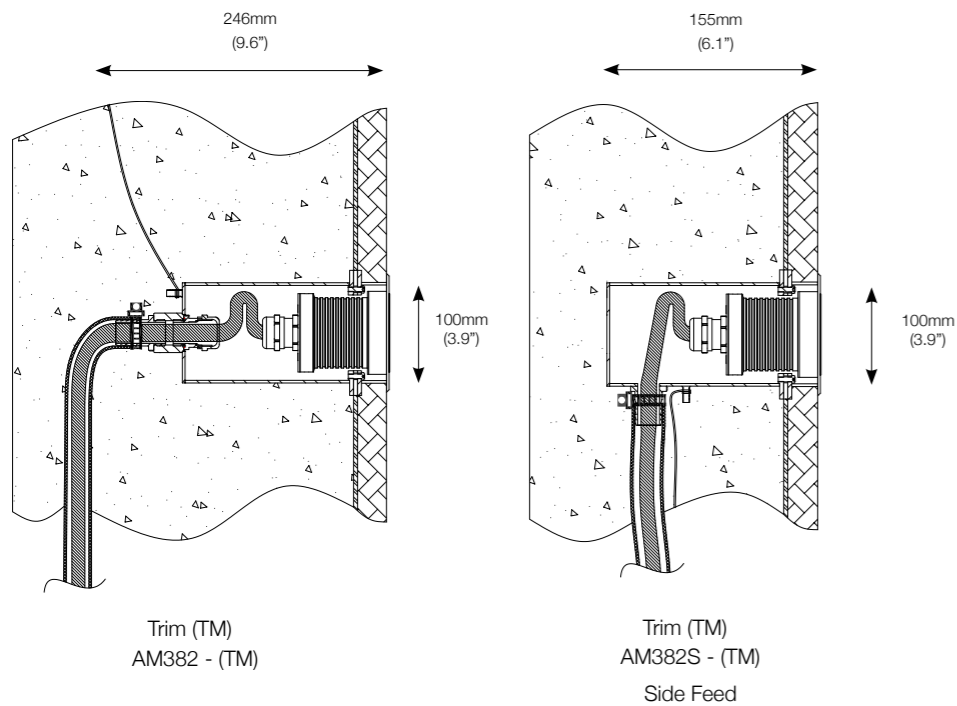
> Color

27 - 2700K
 30 - 3000K
 40 - 4000K
 RGBW (W - 4000K)
 3 Step MacAdam
 CRI: > 85

> Optics

S30, 60, 120 - Single Side 30°, 60°, 120°
 D30, 60, 120 - Double Side 30°, 60°, 120°

> Installation



> Installation housing order codes

AL382 - underwater installation
 AL382 S - underwater installation
 AC60C - exterior/outdoor installation

Ordering Information

| Model | Installation | Power | Color Temp. | Optics | Voltage | Options |
|-------|--------------|-------|------------------------|--|----------|-------------------|
| AC | TM | L | 27 30 40 RGBW | S30 S60 S120 D30 D60 D120 | 12 24 | 3 6 9 20 |



Power Supply

Power supply On/Off - 12V

104463 - LPV 35 12V
 101728 - LPV 60 12V
 104582 - LPV 150 12V

Power supply with integrated controls - 12V

102345 - ELDOLED Linear Drive 100S (DXM,DALI+PS)

Controls - 12V

104472 - PWM 120-12 DALI 12V
 104158 - PWM 60-12 1-10V 12V

Power supply On/Off - 24V

103227 - LPV 35W 24V
 100996 - LPV 60W 24V
 104460 - LPV 150W 24V

Power supply with integrated controls - 24V

102345 - ELDOLED Linear Drive 100S (DXM,DALI+PS)

Controls - 24V

104406 - MONO DALI 240W
 101047 - OTI DALI DIM 120W 1CH
 103507 - OT250/220...240V/24V DIM (1/10V)

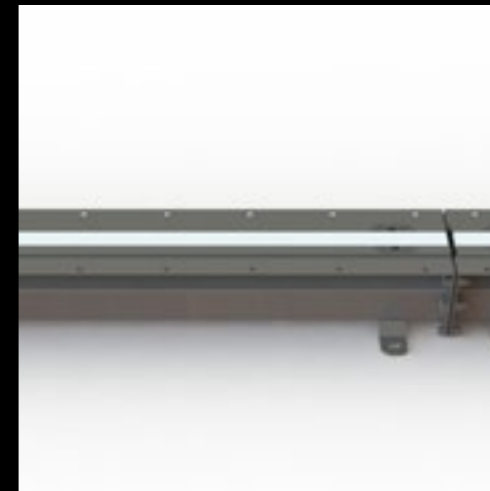
FILIX

H20

Arpool Nexus



Linear IP68 continuous line of light for underwater pools and fountains application. Specially designed housing and gasket allow feed through connection as well as concrete insulation of installation housing. Single line of light up to 10m in white and RGBW.



Arpool Nexus

> Electrical

12/24VDC fixture voltage
 L - 10W/m 250 lm
 L - 18W/m RGBW (W - 4000K)

> Technical

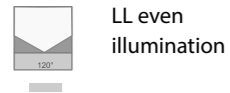
IP68
 CLASS III
 UL STD 676
 CSA C22.2#89

Installation depth 5m
 Continuous line of light
 Chlorine and saline environment
 Stainless steel 316L
 Cable 3m, 6m 9m

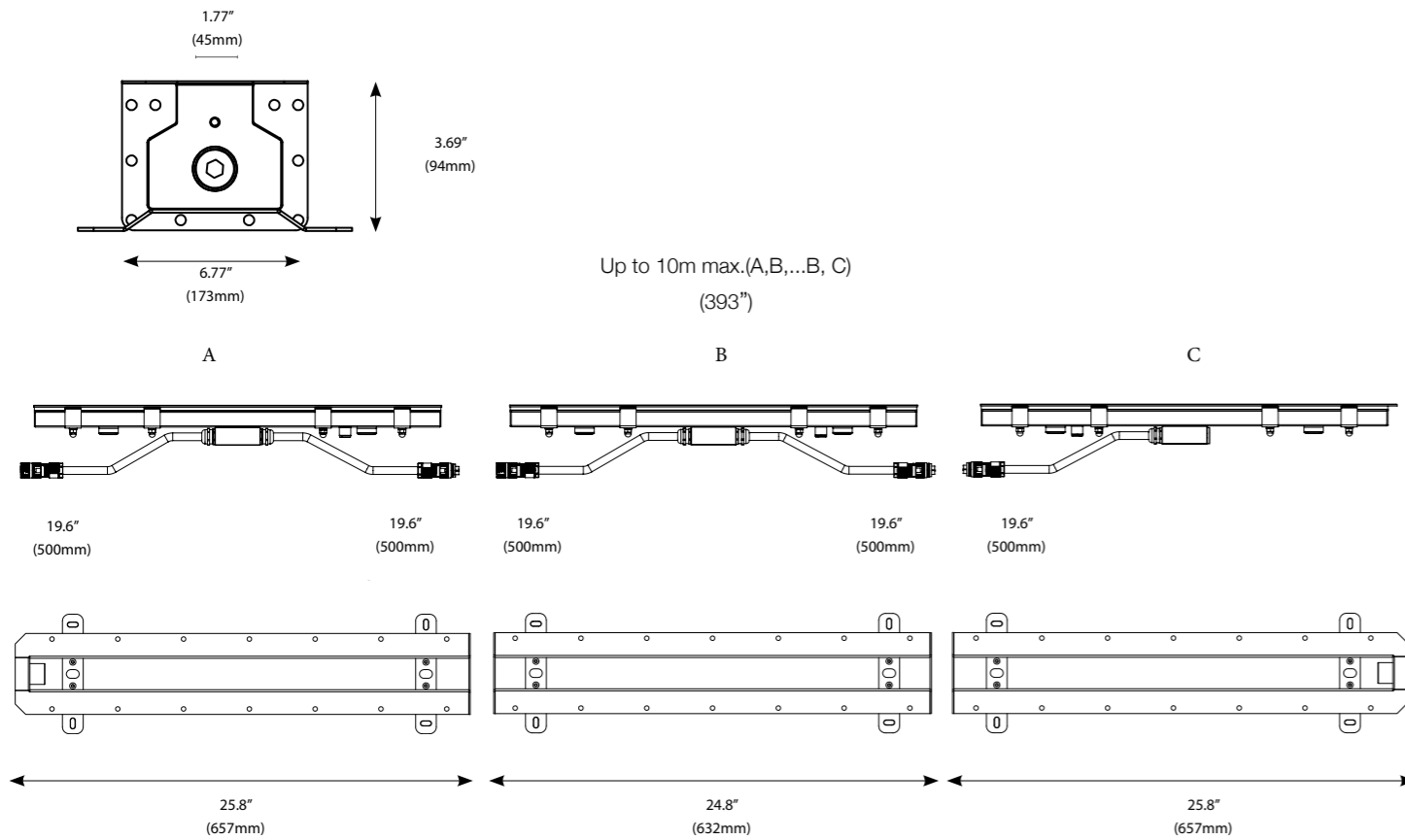
> Color

30 - 3000K
 40 - 4000K
 RGBW
 2 Step MacAdam
 CRI: > 85

> Optics



> Installation



> Installation housing order codes

A501- start (left) installation housing
 B503 - central installation housing
 C505 - end (right) installation housing

Ordering Information

| Model | Type | Power | Color Temp. | Optics | Voltage | Options |
|-------|------|-------|-------------|--------|---------|--|
| AX | | | | | 12 | |
| AX | A | L | 30 | LL | 12 | X3 - standard length 10' (3m) |
| | B | | 40 | | 24 | X6 - 6m (20') cable length |
| | C | | RGBW | | | X9 - 9m (30') cable length X20 - 20m (65') cable length |



Power Supply

Power supply On/Off - 12V

104463 - LPV 35 12V
 101728 - LPV 60 12V
 104582 - LPV 150 12V

Power supply with integrated controls - 12V

102345 - ELDOLED Linear Drive 100S (DXM,DALI+PS)

Controls - 12V

104472 - PWM 120-12 DALI 12V
 104158 - PWM 60-12 1-10V 12V

Power supply On/Off - 24V

103227 - LPV 35W 24V
 100996 - LPV 60W 24V
 104460 - LPV 150W 24V

Power supply with integrated controls - 24V

102345 - ELDOLED Linear Drive 100S (DXM,DALI+PS)

Controls - 24V

104406 - MONO DALI 240W
 101047 - OTI DALI DIM 120W 1CH
 103507 - OT250/220...240V/24V DIM (1/10V)

Arpool Linear Recessed



Linear light with high performance optics for underwater use. Stainless steel 316 L housing with tempered glass lens for recessed installation.





Arpool Linear Recessed

> Electrical

12/24VDC fixture voltage
 L - 39W/m - 3492 lm
 H - 63W/m - 5820 lm
 L - 47W/m - RGBW (W - 4000K)

> Technical

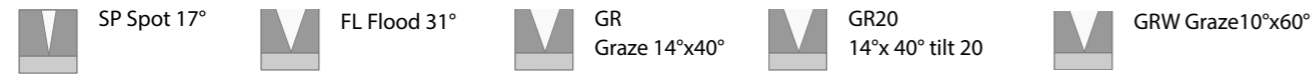
IP68
 CLASS III
 UL STD 676
 CSA C22.2#89

Installation depth 5m
 Concrete pools
 Chlorine and saline environment
 Stainless steel 316L
 Cable 3m, 6m 9m, 20m

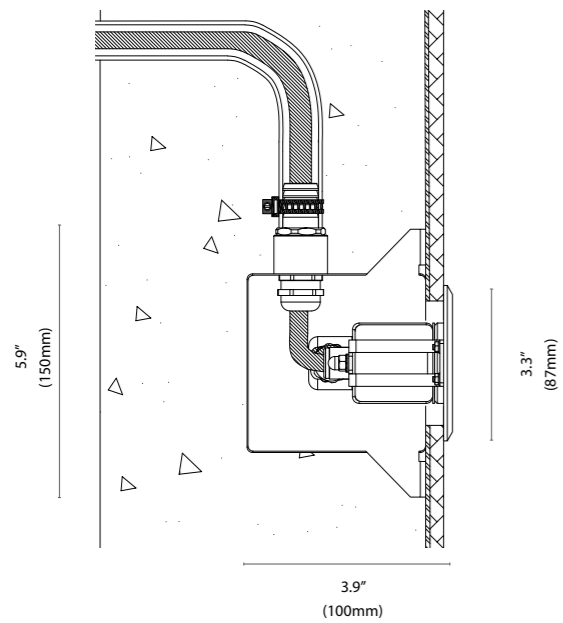
> Color

30 - 3000K
 40 - 4000K
 RGBW (W - 4000K)
 2 Step MacAdam
 CRI: > 85

> Optics



> Installation



> Installation housing order codes

AR413 - 360mm
 AR415 - 660mm

| Ordering Information | | | | | | |
|----------------------|------------|-------|------------------|-------------------|----------|---------|
| Model | Length | Power | Color Temp. | Optics | Voltage | Options |
| ALR | 360 660 | L | 30 40 | SP FL | 12 24 | 3 6 |
| | | H | RGBW 30 40 | GR GR20 GRW | | 9 20 |



| Power Supply | |
|---|--|
| Power supply On/Off - 12V 104463 - LPV 35 12V 101728 - LPV 60 12V 104582 - LPV 150 12V Power supply with integrated controls - 12V 102345 - ELDOLED Linear Drive 100S (DXM,DALI+PS) Controls - 12V 104472 - PWM 120-12 DALI 12V 104158 - PWM 60-12 1-10V 12V | Power supply On/Off - 24V 103227 - LPV 35W 24V 100996 - LPV 60W 24V 104460 - LPV 150W 24V Power supply with integrated controls - 24V 102345 - ELDOLED Linear Drive 100S (DXM,DALI+PS) Controls - 24V 104406 - MONO DALI 240W 101047 - OTI DALI DIM 120W 1CH 103507 - OT250/220...240V/24V DIM (1/10V) |

Arpool Style



Linear light with high performance optics for underwater use. High end design and decorative stainless steel painted flange with tempered glass lens and glare control for recessed installation.



Arpool Style

> Electrical

12/24 VDC fixture voltage
 H - 62W/m - 1300 lm
 H - 52W/m - RGBW (W - 4000K)

> Technical

IP68
 CLASS III
 UL STD 676
 CSA C22.2#89
 Corrosion protection C4
 Severe ISO9227

Installation depth 5m
 Concrete and SS pools
 Chlorine and saline environment
 Stainless steel 316L
 Cable 3m, 6m 9m, 20m

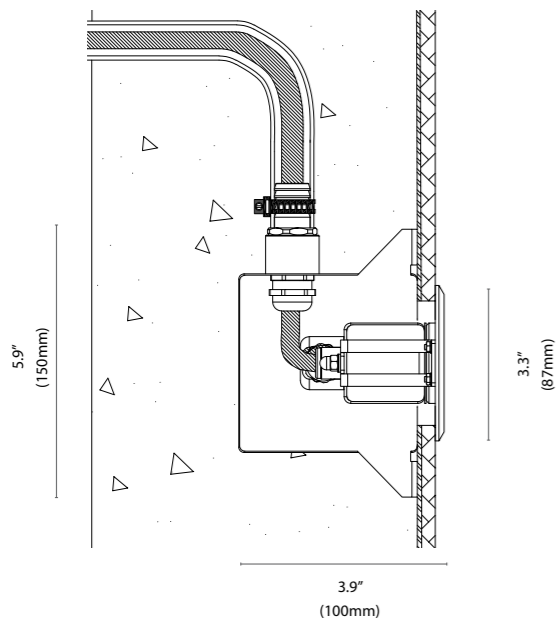
> Color

30 - 3000K
 40 - 4000K
 RGBW (W - 4000K)
 2 Step MacAdam
 CRI: > 85

> Optics

GR
 Graze 10°x50°

> Installation



> Installation housing order codes

AR413 - 360mm
 AR415 - 660mm

| Ordering Information | | | | | | |
|----------------------|--------|-------|-------------|--------|---------|---------|
| AY | | H | | | 12 | |
| Model | Length | Power | Color Temp. | Optics | Voltage | Options |
| AY | 360 | H | 30 | GR | 12 | 3 |
| | 660 | | 40 | | 24 | 6 |
| | | | RGBW | | | 9 |
| | | | | | | 20 |



| Power Supply | |
|---|--|
| Power supply On/Off - 12V 104463 - LPV 35 12V 101728 - LPV 60 12V 104582 - LPV 150 12V Power supply with integrated controls - 12V 102345 - ELDOLED Linear Drive 100S (DXM,DALI+PS) Controls - 12V 104472 - PWM 120-12 DALI 12V 104158 - PWM 60-12 1-10V 12V | Power supply On/Off - 24V 103227 - LPV 35W 24V 100996 - LPV 60W 24V 104460 - LPV 150W 24V Power supply with integrated controls - 24V 102345 - ELDOLED Linear Drive 100S (DXM,DALI+PS) Controls - 24V 104406 - MONO DALI 240W 101047 - OTI DALI DIM 120W 1CH 103507 - OT250/220...240V/24V DIM (1/10V) |

Arpool Linear Surface



Linear light with high performance optics for underwater use. Stainless steel housing with tempered glass lens for surface installation.



Arpool Linear Surface

> Electrical

12/24VDC fixture voltage
 L - 39W/m - 3492 lm - able to be used out of water permanently
 H - 63W/m - 5920 lm
 L - 47W/m - RGBW (W - 4000K)

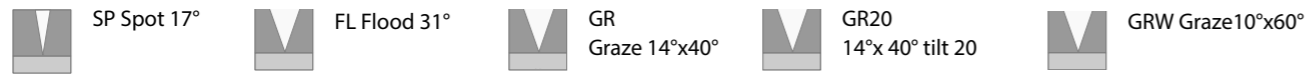
> Technical

IP68
 CLASS III
 UL STD 676
 CSA C22.2#89
 Installation depth 5m
 Pools and water features
 Chlorine and saline environment
 Stainless steel 316L
 Cable 3m, 6m 9m, 20m

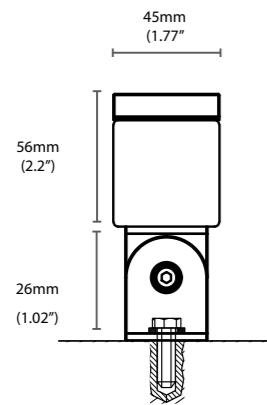
> Color

30 - 3000K
 40 - 4000K
 RGBW (W - 4000K)
 2 Step MacAdam
 CRI: > 85

> Optics



> Installation



Ordering Information

| Model | Length | Power | Color Temp. | Optics | Voltage | Options |
|-------|------------|------------|------------------------------|-------------------------------|----------|-------------------|
| ALS | 320 620 | L H | 30 40 RGBW 30 40 | SP FL GR GR20 GRW | 12 24 | 3 6 9 20 |



| Power Supply | |
|---|--|
| Power supply On/Off - 12V 104463 - LPV 35 12V 101728 - LPV 60 12V 104582 - LPV 150 12V Power supply with integrated controls - 12V 102345 - ELDOLED Linear Drive 100S (DXM,DALI+PS) Controls - 12V 104472 - PWM 120-12 DALI 12V 104158 - PWM 60-12 1-10V 12V | Power supply On/Off - 24V 103227 - LPV 35W 24V 100996 - LPV 60W 24V 104460 - LPV 150W 24V Power supply with integrated controls - 24V 102345 - ELDOLED Linear Drive 100S (DXM,DALI+PS) Controls - 24V 104406 - MONO DALI 240W 101047 - OTI DALI DIM 120W 1CH 103507 - OT250/220...240V/24V DIM (1/10V) |

Arpool Iris Efecta



Underwater LED projector with high performance optics with angle adjustability option. Glass lens creates optical effect of narrow and wide beam. For private and public pools in rectangular or organic shape.



Arpool Iris Efecta

> Electrical

12/24VDC fixture voltage
 H - 15W - 1200lm
 H - 15W - RGBW (W - 4000K)

> Technical

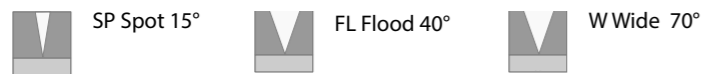
IP68
 CLASS III
 UL STD 676
 CSA C22.2#89

Adjustable engine
 Installation depth 5m
 Pools and water features
 Chlorine and saline environment
 Stainless steel 316L
 Cable 3m, 6m 9m, 20m

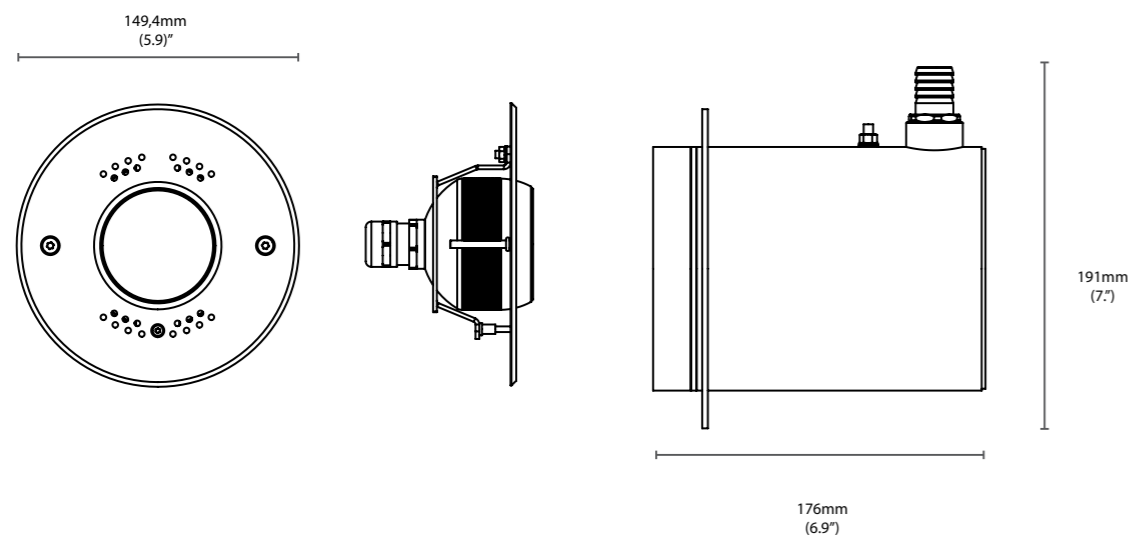
> Color

30 - 3000K
 40 - 4000K
 RGBW (W - 4000K)
 2 Step MacAdam
 CRI: > 85

> Optics



> Installation



> Installation housing order codes

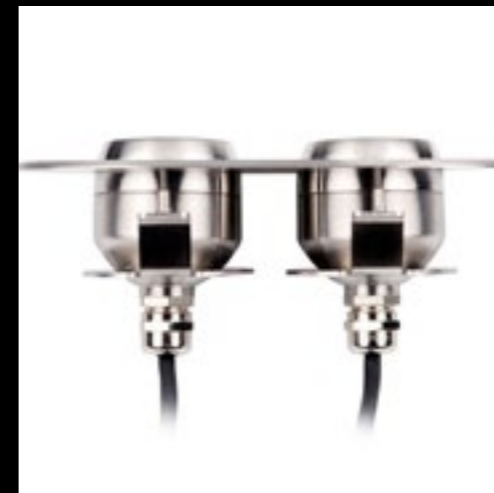
AIE

| Ordering Information | | | | | | |
|----------------------|--------------|-------|------------------|---------------|----------|-------------------|
| AIE | Installation | Power | Color Temp. | Optics | Voltage | Options |
| AIE | TM | H | 30 40 RGBW | SP FL W | 12 24 | 3 6 9 20 |



| Power Supply | |
|--|---|
| Power supply On/Off - 12V 104463 - LPV 35 12V 101728 - LPV 60 12V 104582 - LPV 150 12V | Power supply On/Off - 24V 103227 - LPV 35W 24V 100996 - LPV 60W 24V 104460 - LPV 150W 24V |
| Power supply with integrated controls - 12V 102345 - ELDOLED Linear Drive 100S (DXM,DALI+PS) | Power supply with integrated controls - 24V 102345 - ELDOLED Linear Drive 100S (DXM,DALI+PS) |
| Controls - 12V 104472 - PWM 120-12 DALI 12V 104158 - PWM 60-12 1-10V 12V | Controls - 24V 104406 - MONO DALI 240W 101047 - OTI DALI DIM 120W 1CH 103507 - OT250/220...240V/24V DIM (1/10V) |

Arpool Iris Bifecta



Underwater LED projector with high performance optics with angle adjustability option. Glass lens creates optical effect of narrow and wide beam. For private and public pools in rectangular or organic shape.



Arpool Bifecta

> Electrical

12/24VDC fixture voltage
 H - 30W - 2400lm
 H - 30W - RGBW (W - 4000K)

> Technical

IP68
 CLASS III
 UL STD 676
 CSA C22.2#89

Adjustable engine
 Installation depth 5m
 Pools and water features
 Chlorine and saline environment
 Stainless steel 316L
 Cable 3m, 6m 9m, 20m

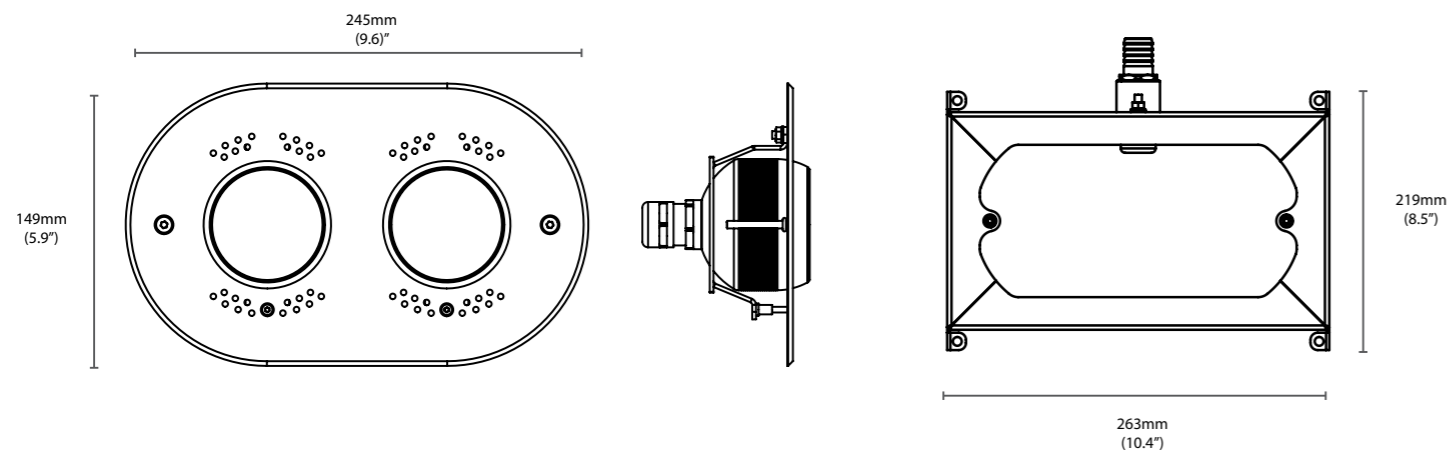
> Color

30 - 3000K
 40 - 4000K
 RGBW (W - 4000K)
 2 Step MacAdam
 CRI: > 85

> Optics



> Installation



> Installation housing order codes

AIB

| Ordering Information | | | | | | |
|----------------------|--------------|-------|------------------|---------------|----------|-------------------|
| AIB | Installation | Power | Color Temp. | Optics | Voltage | Options |
| AIB | TM | H | 30 40 RGBW | SP FL W | 12 24 | 3 6 9 20 |



| Power Supply | |
|--|---|
| Power supply On/Off - 12V 104463 - LPV 35 12V 101728 - LPV 60 12V 104582 - LPV 150 12V Power supply with integrated controls - 12V 102345 - ELDOLED Linear Drive 100S (DXM,DALI+PS) | Power supply On/Off - 24V 103227 - LPV 35W 24V 100996 - LPV 60W 24V 104460 - LPV 150W 24V Power supply with integrated controls - 24V 102345 - ELDOLED Linear Drive 100S (DXM,DALI+PS) |
| Controls - 12V 104472 - PWM 120-12 DALI 12V 104158 - PWM 60-12 1-10V 12V | Controls - 24V 104406 - MONO DALI 240W 101047 - OTI DALI DIM 120W 1CH 103507 - OT250/220...240V/24V DIM (1/10V) |

FILIX

H2O

Arpool Iris Trifecta



Underwater LED projector with high performance optics with angle adjustability option. Glass lens creates optical effect of narrow and wide beam. For private and public pools in rectangular or organic shape.



Arpool Trifecta

> Electrical

12/24VDC fixture voltage
 H - 45W - 3600lm
 H - 45W - RGBW (W - 4000K)

> Technical

IP68
 CLASS III
 UL STD 676
 CSA C22.2#89

Adjustable engine
 Installation depth 5m
 Pools and water features
 Chlorine and saline environment
 Stainless steel 316L
 Cable 3m, 6m 9m, 20m

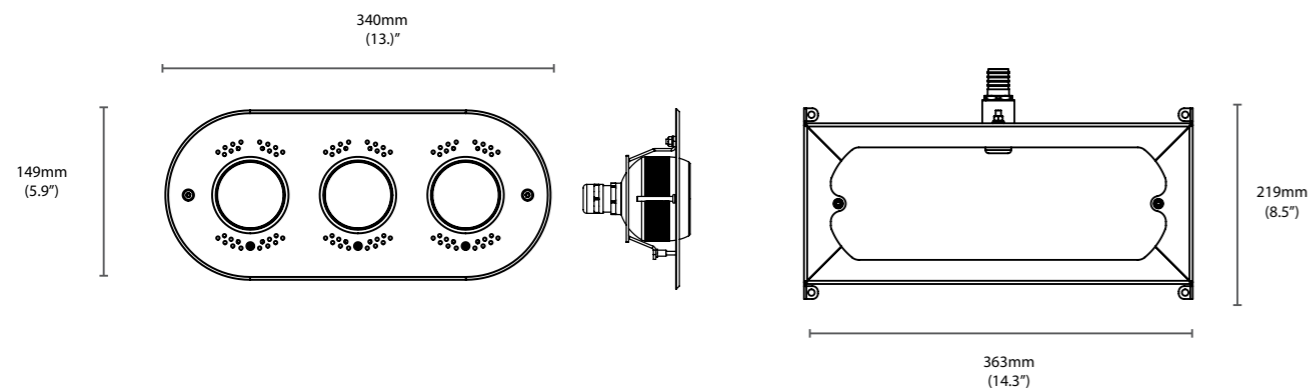
> Color

30 - 3000K
 40 - 4000K
 RGBW (W - 4000K)
 2 Step MacAdam
 CRI: > 85

> Optics



> Installation



> Installation housing order codes

AIT

Ordering Information

| Model | Installation | Power | Color Temp. | Optics | Voltage | Options |
|-------|--------------|-------|------------------|---------------|----------|-------------------|
| AIT | TM | H | 30 40 RGBW | SP FL W | 12 24 | 3 6 9 20 |



Power Supply

Power supply On/Off - 12V

104463 - LPV 35 12V
 101728 - LPV 60 12V
 104582 - LPV 150 12V

Power supply with integrated controls - 12V

102345 - ELDOLED Linear Drive 100S (DXM,DALI+PS)

Controls - 12V

104472 - PWM 120-12 DALI 12V
 104158 - PWM 60-12 1-10V 12V

Power supply On/Off - 24V

103227 - LPV 35W 24V
 100996 - LPV 60W 24V
 104460 - LPV 150W 24V

Power supply with integrated controls - 24V

102345 - ELDOLED Linear Drive 100S (DXM,DALI+PS)

Controls - 24V

104406 - MONO DALI 240W
 101047 - OTI DALI DIM 120W 1CH
 103507 - OT250/220...240V/24V DIM (1/10V)

PAZIN HQ
DUBAI
FRANKFURT
NEW YORK
MANILA
LONDON
SYDNEY



