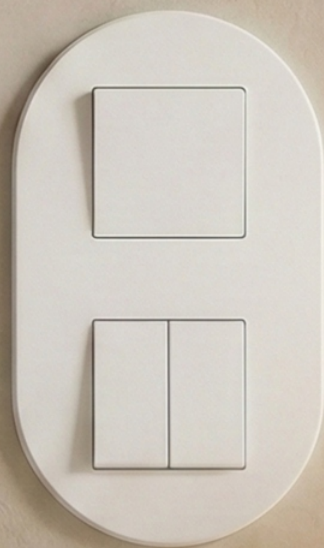


# NEW



vectis

MINIMALISM WITHOUT COMPROMISE



PURE DESIGN

SERIES P1



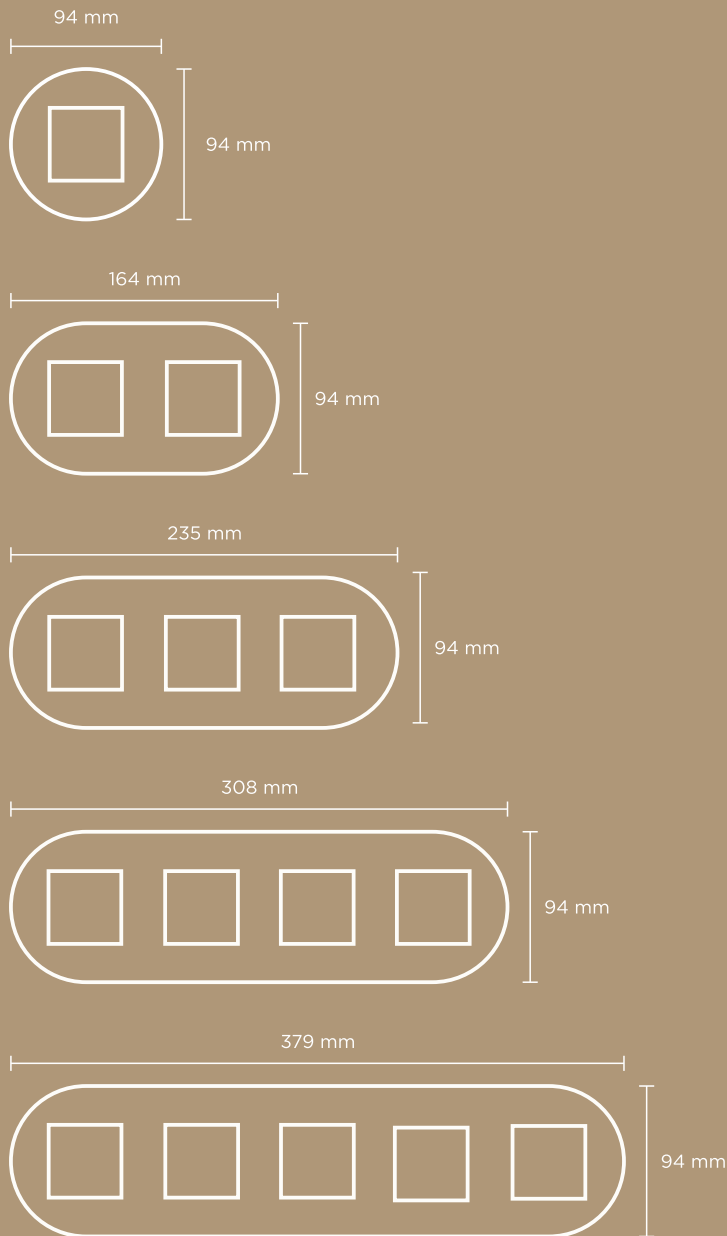
# UNIVERSAL STYLE



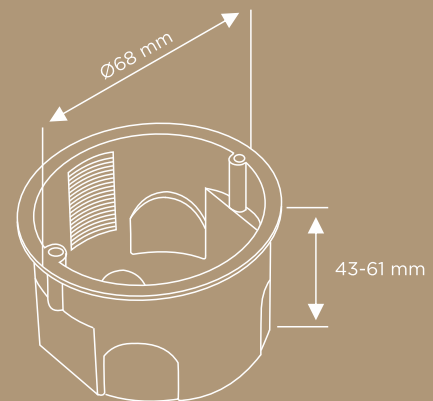
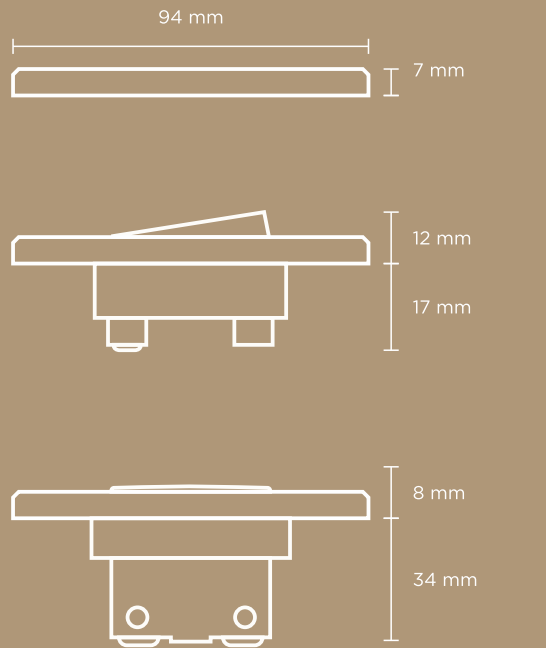
# MATTE BLACK



## Dimensions



## Technical Overview



Installation in standard European boxes  $\varnothing 68\text{mm}$  (single and modular)

## Mechanism types

Modulator system offers all standard and non-standard combinations.

### Examples of standard combinations:

- Single Switch - push button, stair, dimmer, three position, intermediate and more
- Double Switch - push buttons, stair, three position, intermediate and more
- Sockets - Schuko, french standard, IP44
- RJ 45 cat. 5e, RJ 45 cat. 6, TV, SAT, HDMI, USB charger A+C

### Examples of non-standard combinations:

- Push button switch + Double push button
- Stair switch + Intermediate switch

Other combinations on demand.



[www.isdvectis.pl](http://www.isdvectis.pl)



 facebook | vectisswitch

 instagram | vectis\_switch